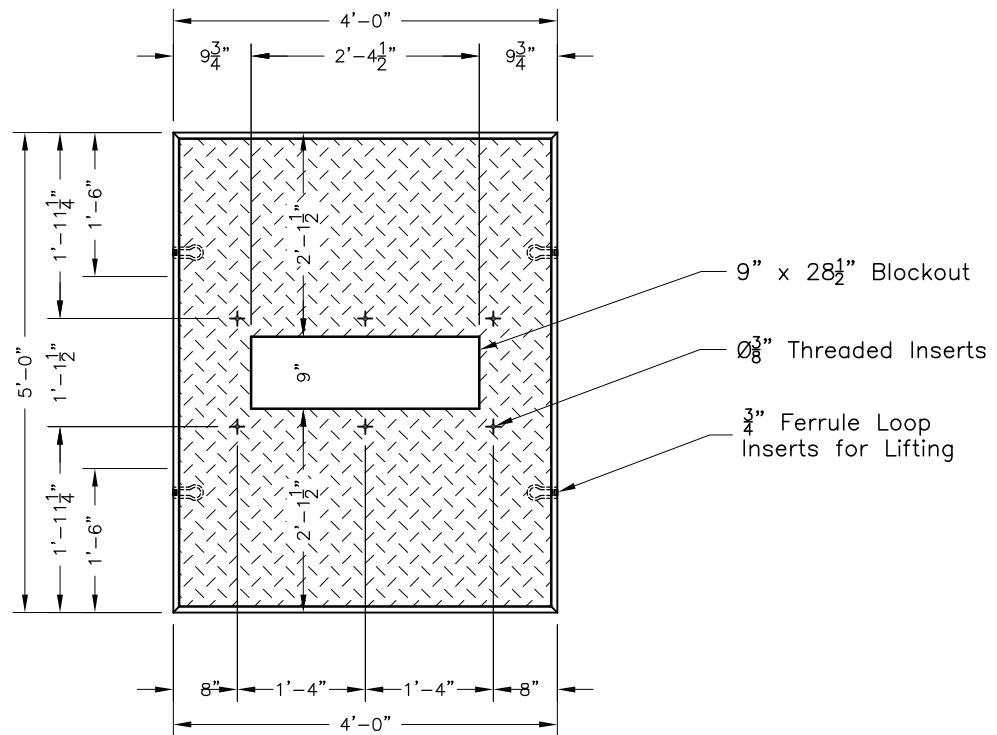
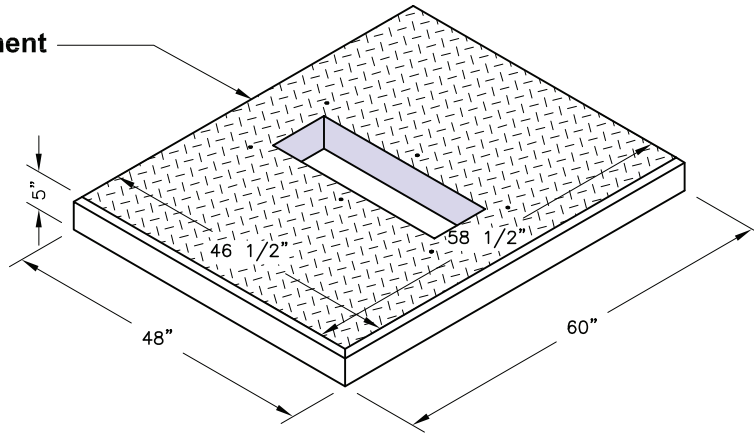


PADMOUNT
 for Reltec Equipment

4860-SC & 6000D
 Weight = 1,168 lbs.



Padmount for Reltec Equipment

4860-SC & 6000D
 Weight = 1,168 lbs.