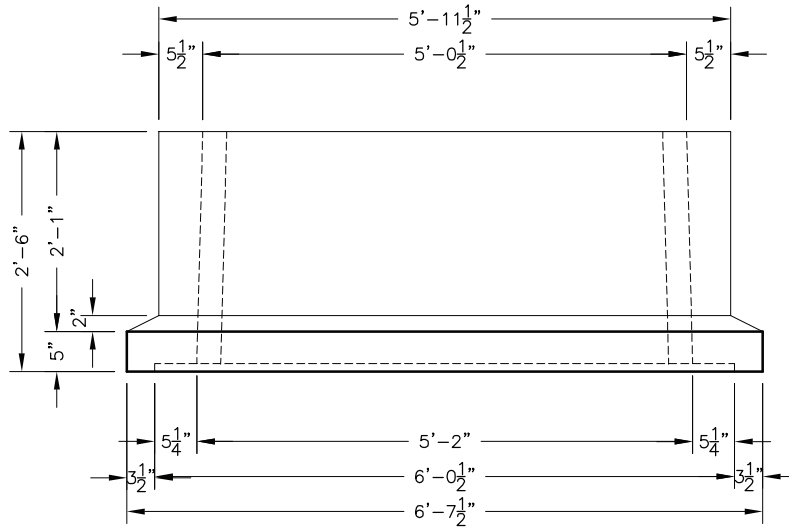
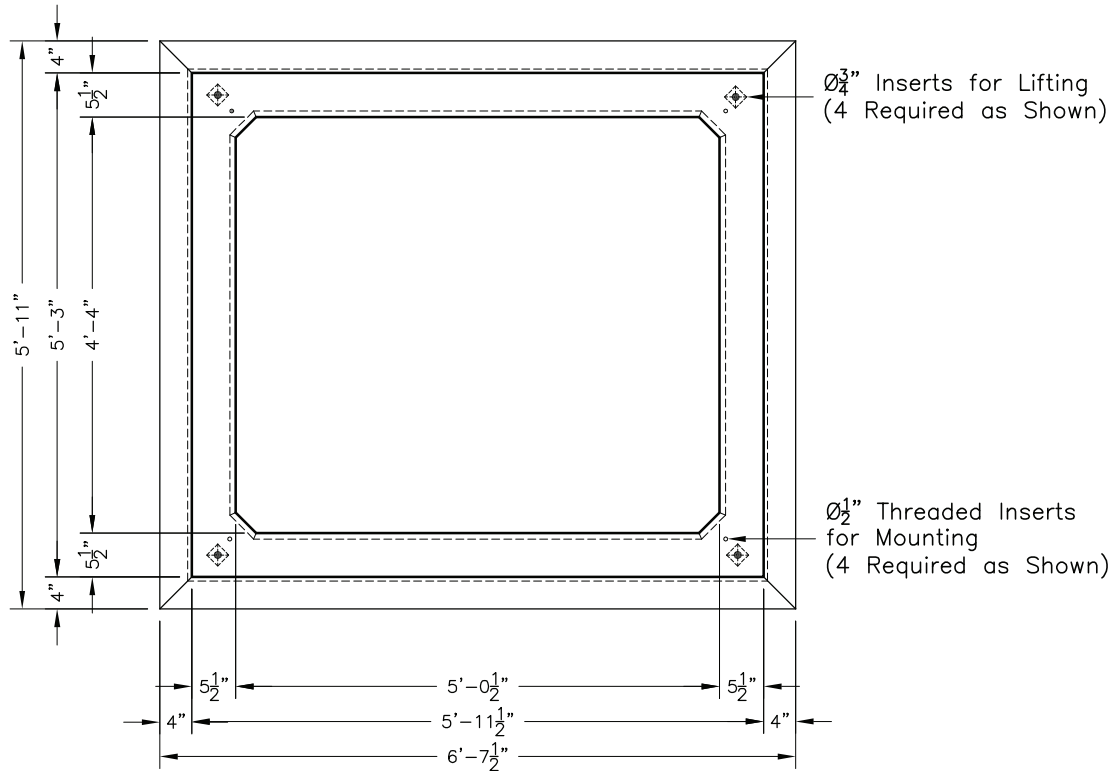

**NOTE:**

- Stack Height NOT to Exceed (2) Cabinet Sections
- Compatible with S & C Vista Switch Cabinets

15KV Cabinet		
Description	Item Code	Weight
15KV Cabinet	1801800	3,721 lbs.


**Elevation View**

**Plan View**