

**TOP SECTION**

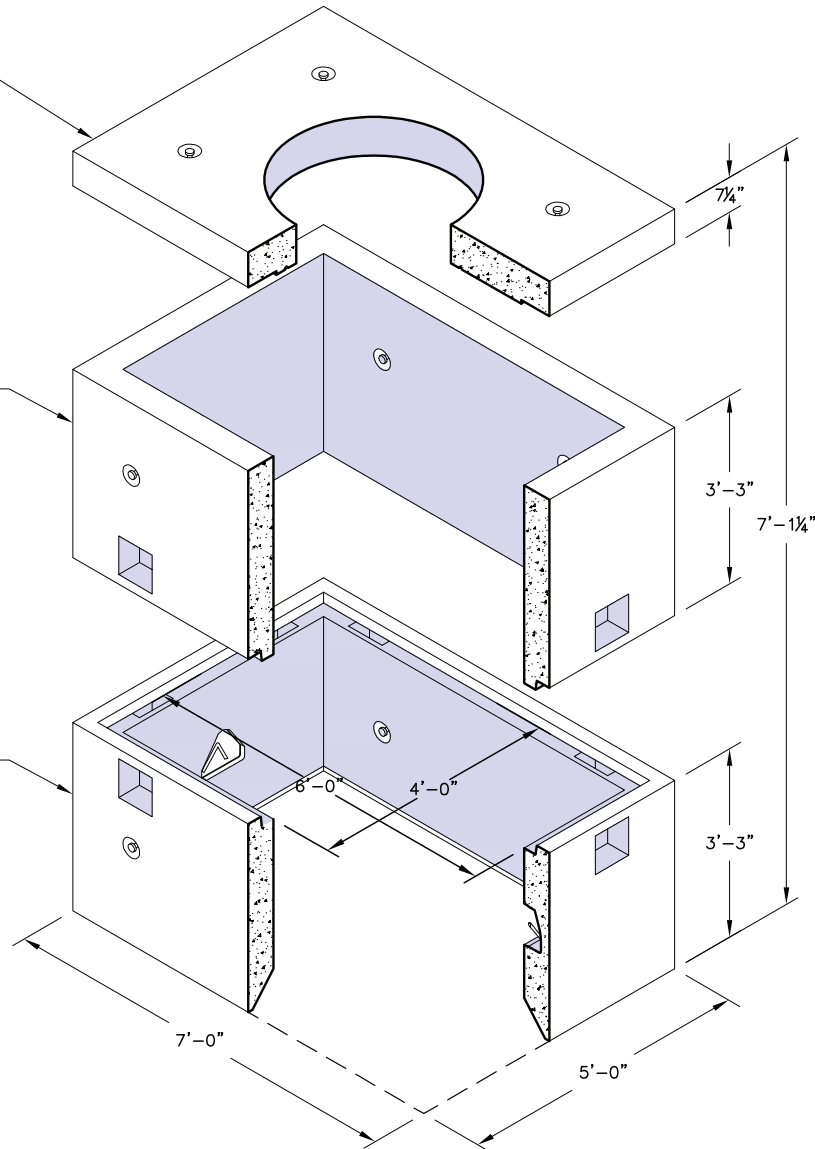
Weight = 2,631 lbs.

**RISER SECTION #2**

Weight = 5,255 lbs.

**RISER SECTION #1**

Weight = 4,635 lbs.


**Electrical Vault Kit Components**

Item Code	Quantity	Description	Weight
7107700	1	Ø37"/Ø27" x 6" Ring & Cover (Not Shown)	820 lbs.
1014500	1	Vault Lid	2,631 lbs.
1002400	1	Vault Riser #2	5,255 lbs.
1002300	1	Vault Riser #1	4,635 lbs.
7602500	1	10' Galvanized Ladder (Not Shown)	N/A
1003500	1	12" x 12" x 12" Sump (Not Shown)	161 lbs.
7110700	1	14" x 14" Sump Grate (Not Shown)	75 lbs.
8503540	4 Rolls	1" Conseal Joint Sealant	N/A

