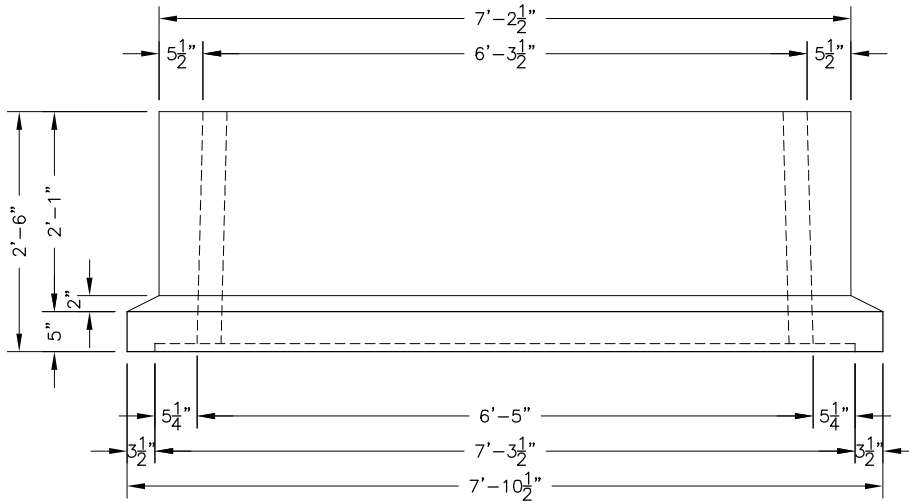

NOTE:

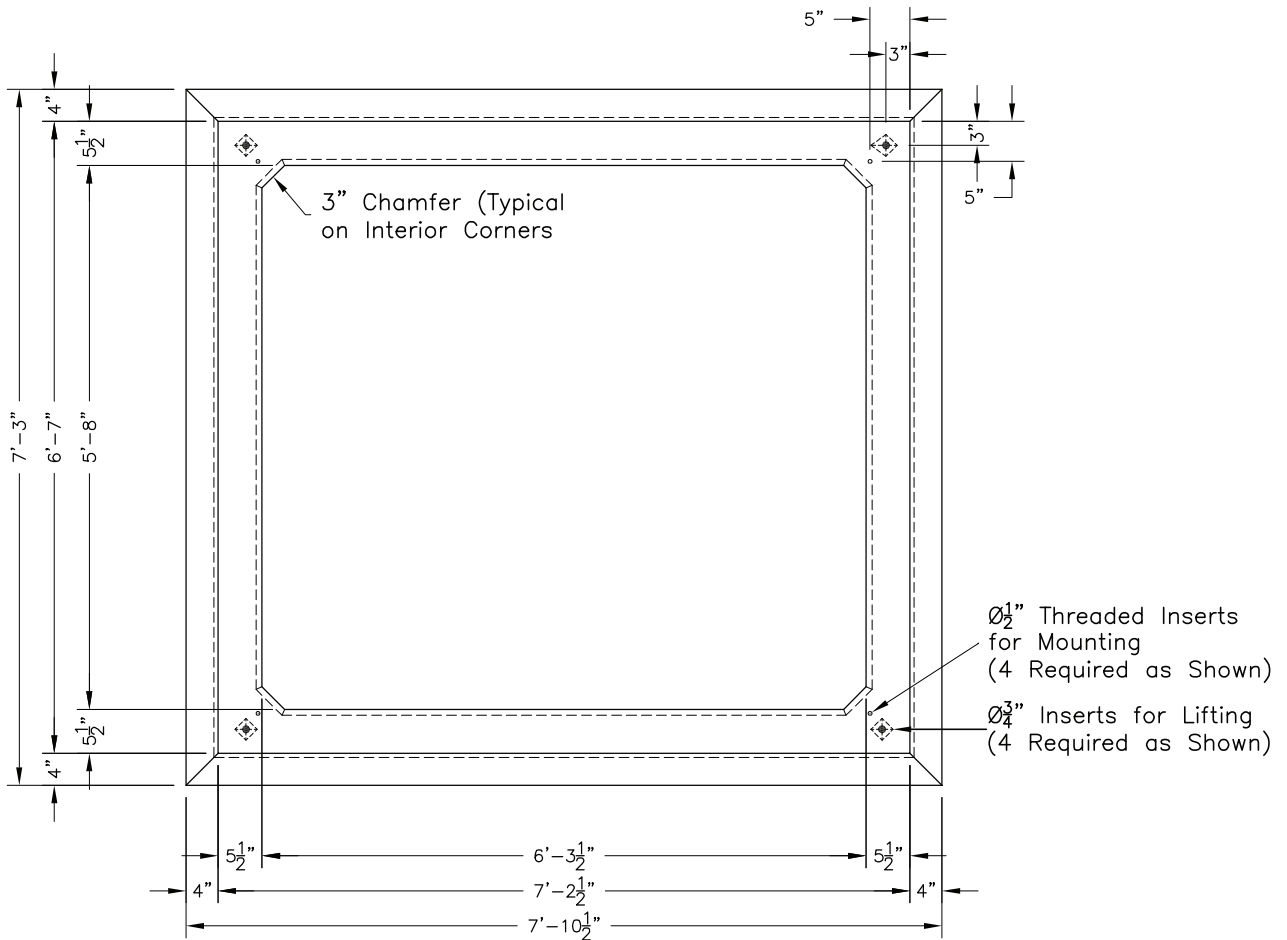
- Stack Height NOT to Exceed (2) Cabinet Sections
- Compatible with S & C Vista Switch Cabinets

25KV Cabinet

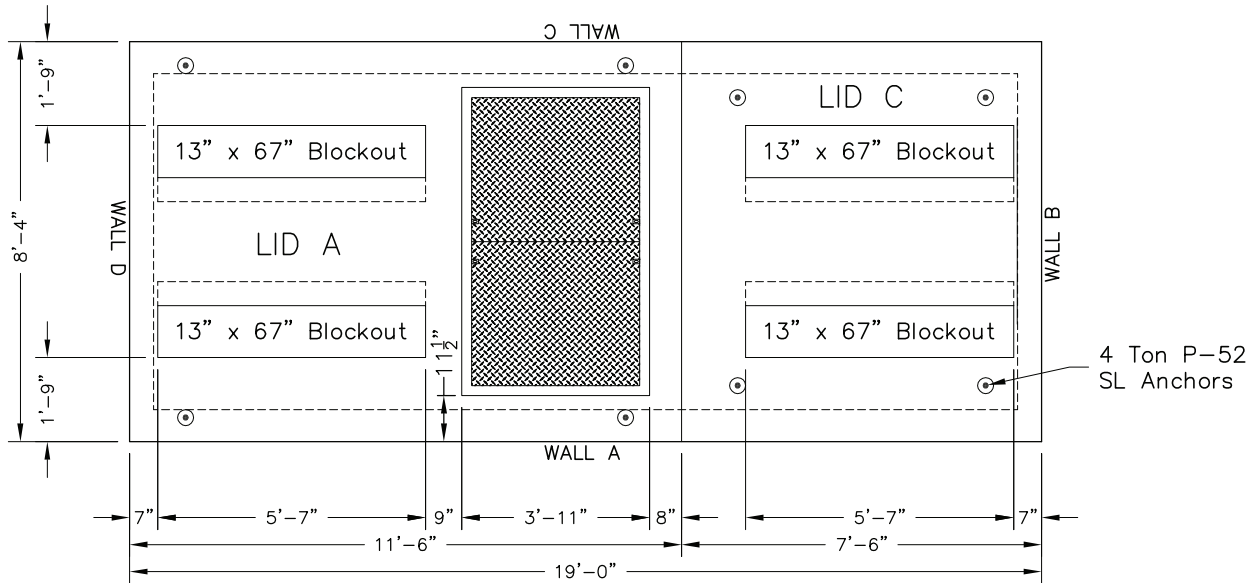
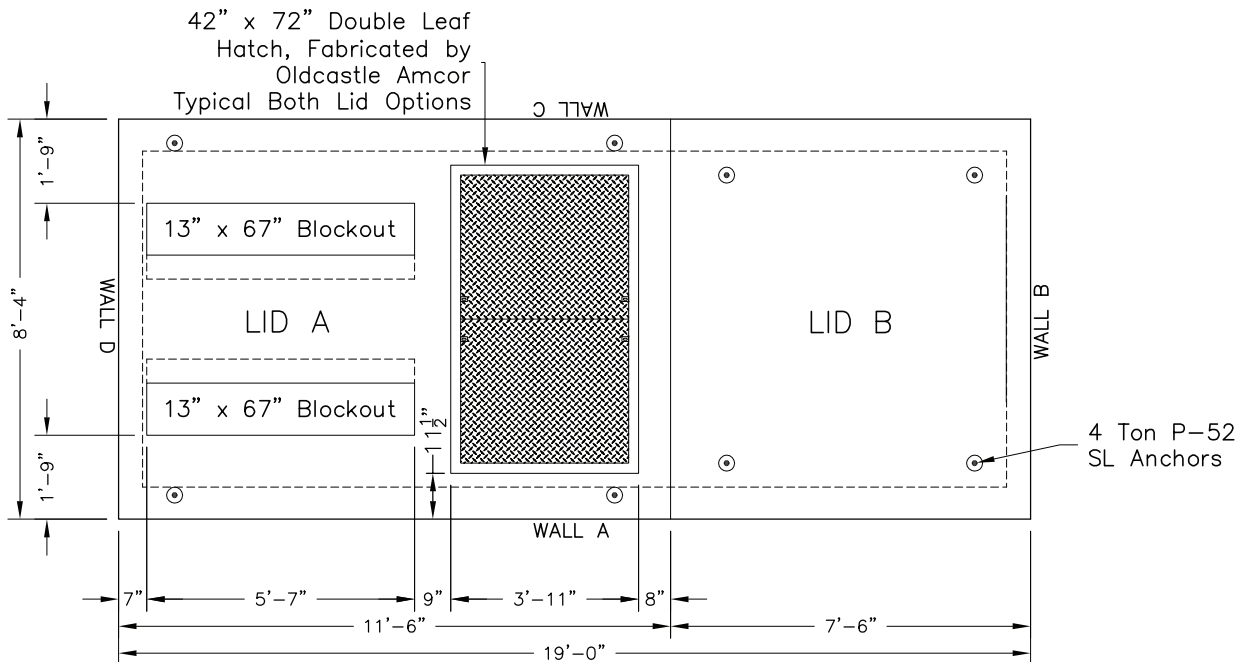
Description	Item Code	Weight
25KV Cabinet	1801900	4,621 lbs.



Elevation View



Plan View


Lid 1 Plan View

Lid 2 Plan View