

LID SECTION #1

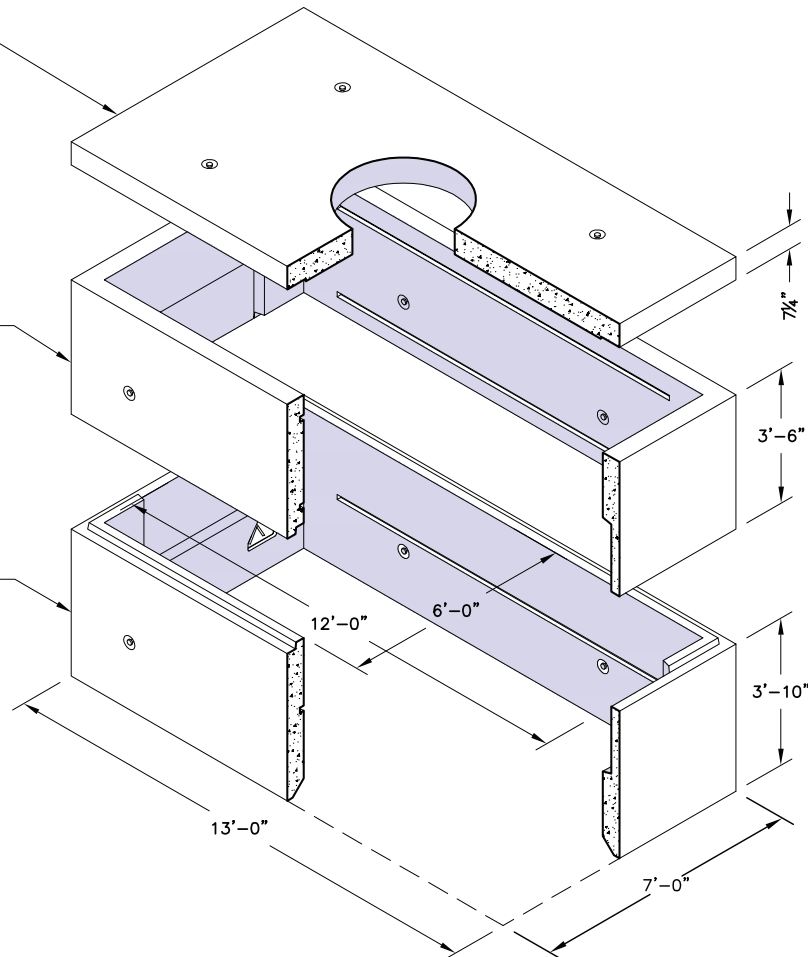
Weight = 8,150 lbs.

RISER SECTION #2

Weight = 9,583 lbs.

RISER SECTION #1

Weight = 9,771 lbs.


Electrical Vault Kit Components

Item Code	Quantity	Description	Weight
7107700	1	Ø37"/Ø27" x 6" Ring & Cover (Not Shown)	820 lbs.
7100700	1	2" Cast Iron Riser Ring (Not Shown)	125 lbs.
1102200	1	Ø37" x 2" Grade Ring (Not Shown)	140 lbs.
1102400	1	Ø37" x 6" Grade Ring (Not Shown)	422 lbs.
1014600	1	Vault Lid	8,150 lbs.
1004900	1	Vault Riser #2	9,583 lbs.
1004700	1	Vault Riser #1	9,771 lbs.
7602500	1	10' Galvanized Ladder (Not Shown)	N/A
1003500	1	12" x 12" x 12" Sump (Not Shown)	161 lbs.
7110700	1	14" x 14" Sump Grate (Not Shown)	75 lbs.
8503540	4 Rolls	1" Conseal Joint Sealant	N/A
8503560	8 Rolls	1½" Conseal Joint Sealant	N/A

