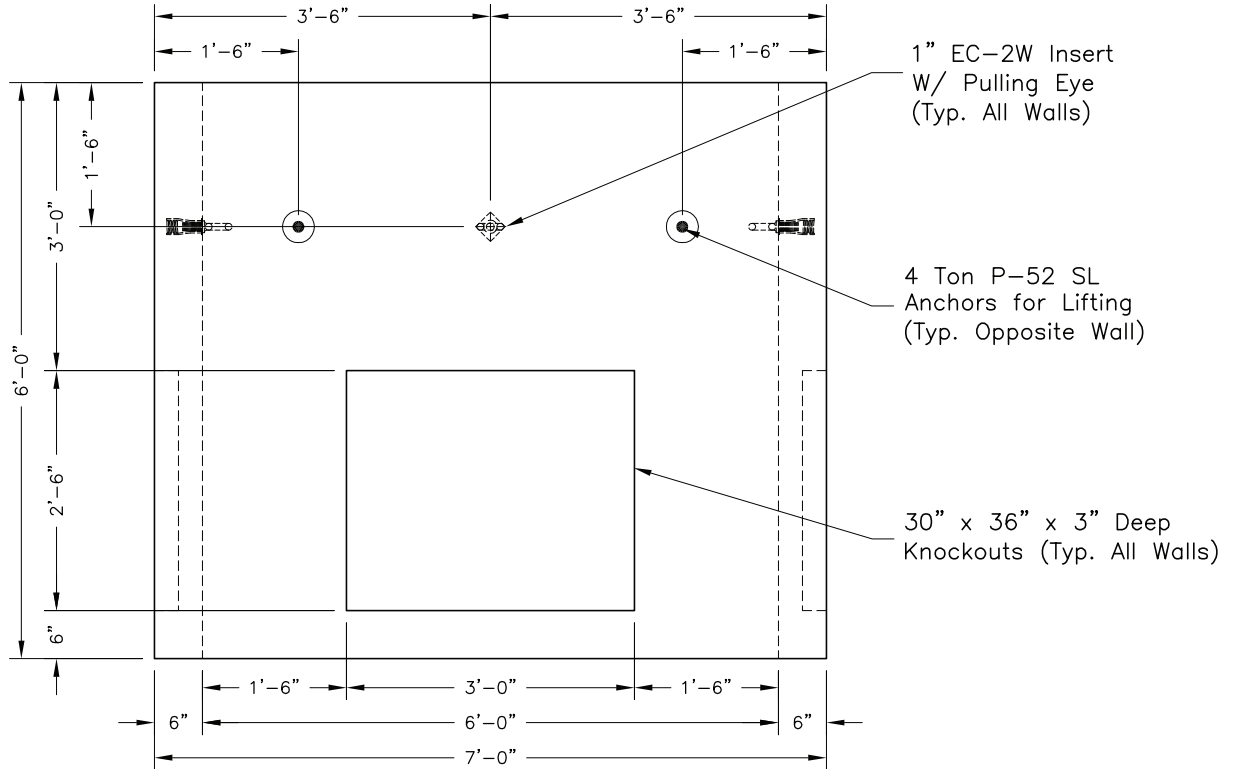


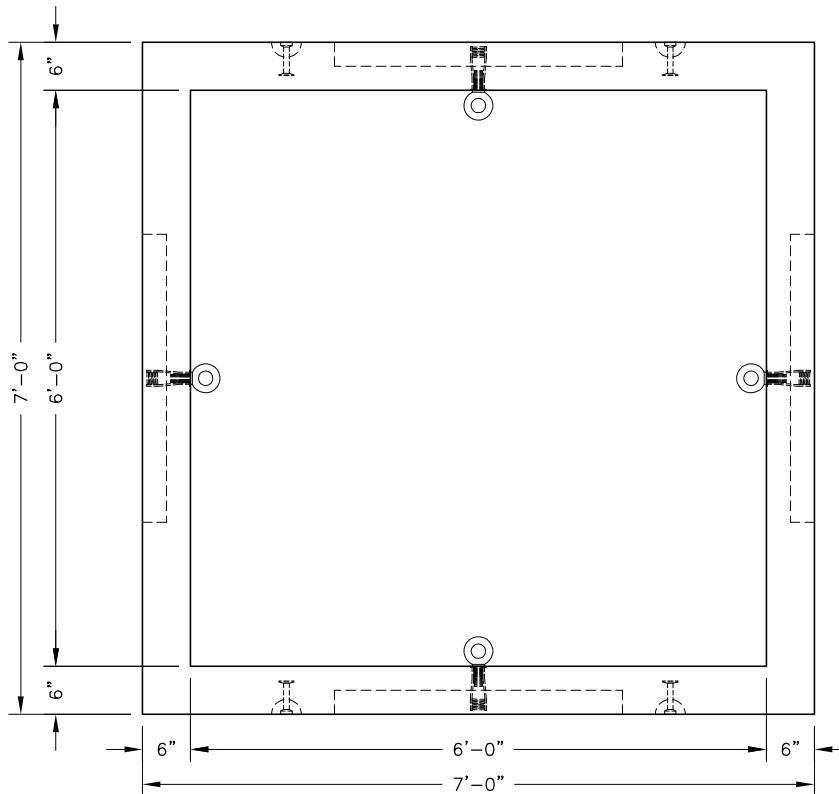
**NOTE: \*Designed for Installation at Grade**

**6'-0" x 6'-0" Pull Vault**

Description	Item Code	Weight
6'-0" x 6'-0" x 6'-0"	1003005	10,575 lbs.



**Elevation View**



**Plan View**