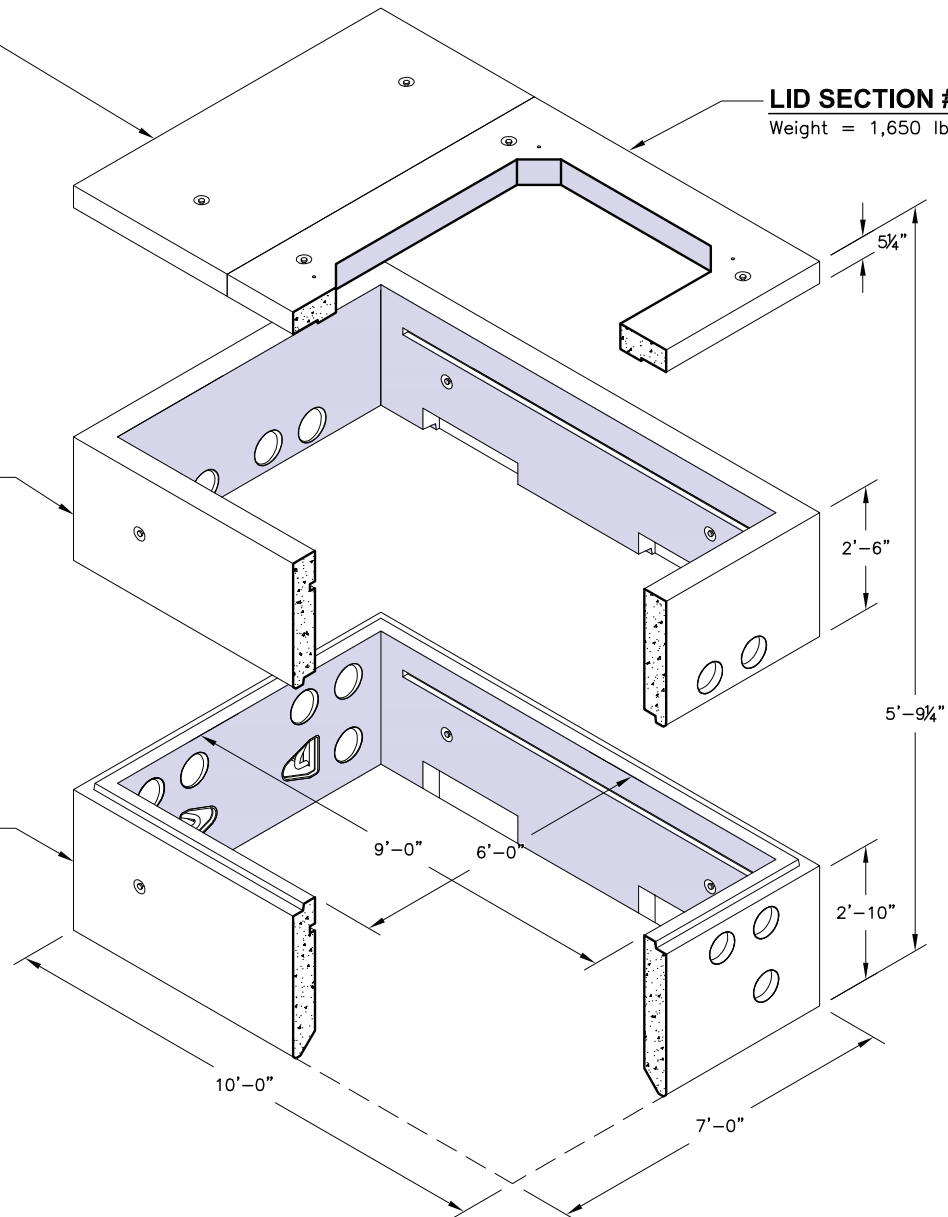


LID SECTION #1
 Weight = 1,769 lbs.

LID SECTION #2
 Weight = 1,650 lbs.

RISER SECTION #2
 Weight = 6,004 lbs.

RISER SECTION #1
 Weight = 5,461 lbs.



NOTE: *Designed for Installation at Grade

Electrical Switch Vault Components

Item Code	Quantity	Description	Weight
1002210	1	Vault Lid #1	1,769 lbs.
1002220	1	Vault Lid #2	1,650 lbs.
1002230	1	Vault Riser #1	5,461 lbs.
1002240	1	Vault Riser #2	6,004 lbs.
7602500	1	10' Galvanized Ladder (Not Shown)	N/A
8503540	8 Rolls	1" Conseal Joint Sealant	N/A