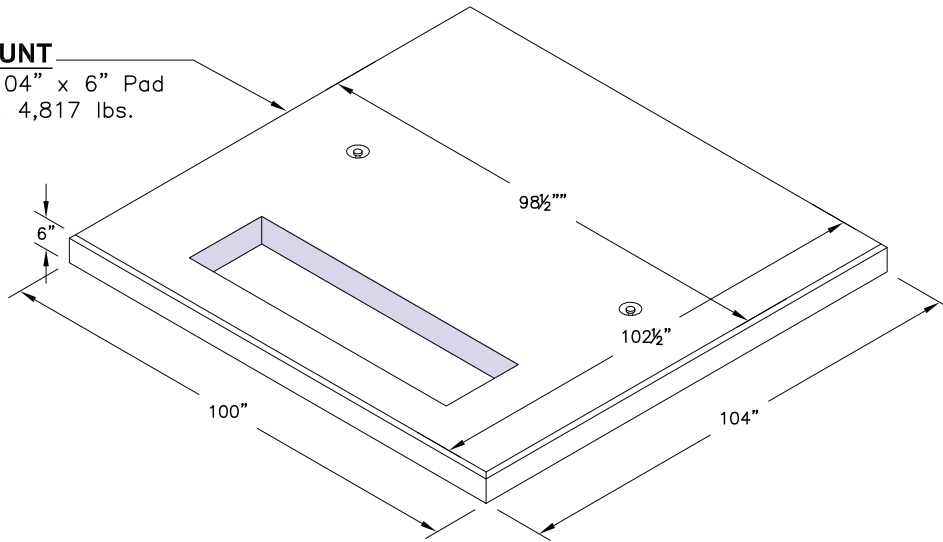
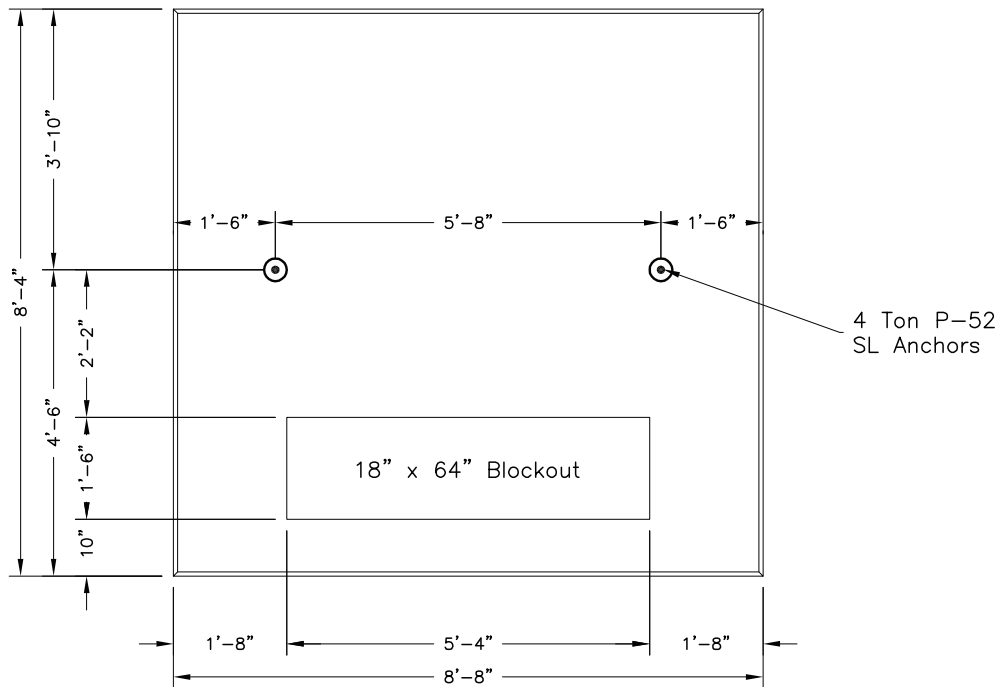


PADMOUNT

 100" x 104" x 6" Pad
 Weight = 4,817 lbs.


NOTE:
 *Designed for Installation at Grade w/ Cabinet Loading


Plan View

| Electrical Pad Mount | | |
|-----------------------------|-----------|------------|
| Description | Item Code | Weight |
| 100" x 104" x 6" Pad | 1820100 | 4,817 lbs. |