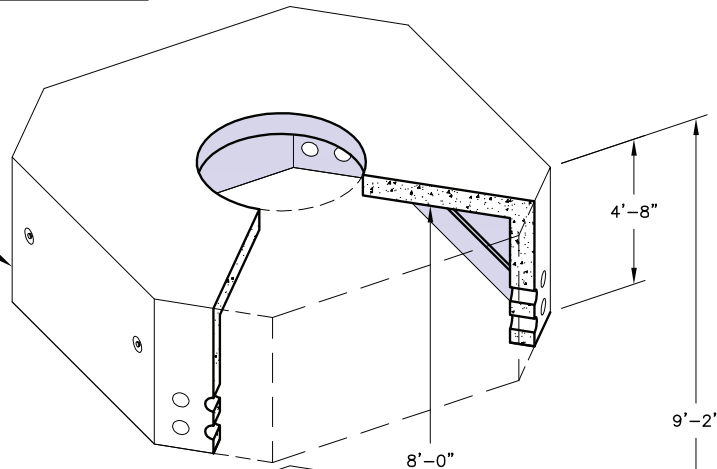
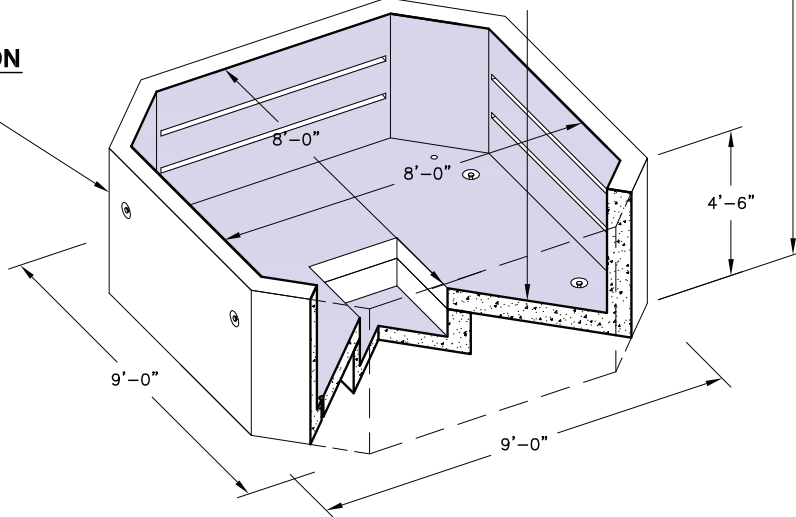
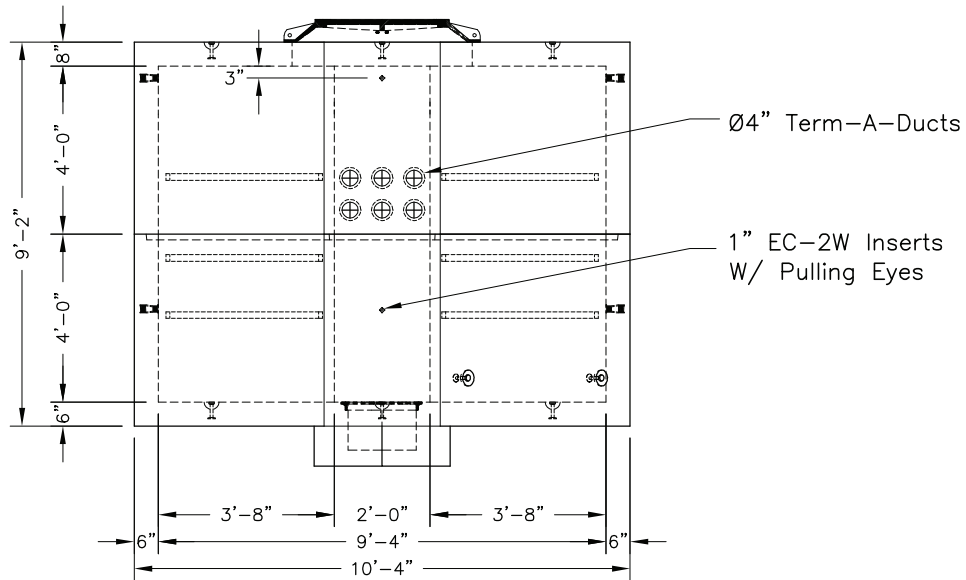
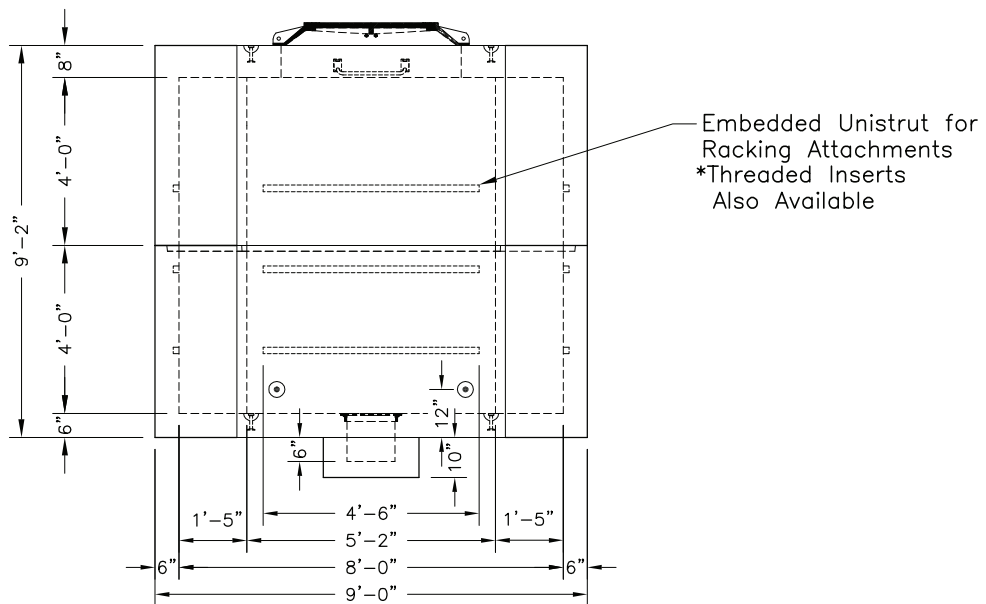

Plan View

Access Opening of Any Size & Location. Inverted Cast Iron Ring & Cover as well as Steel or Aluminum Hatches can be cast in.

TOP SECTION
88-OCT-T
 Wt = 11,760 lbs.

BOTTOM SECTION
88-OCT-B
 Wt = 13,757 lbs.




Walls B,D,F,&H Views



Walls A,C,E,&G Views