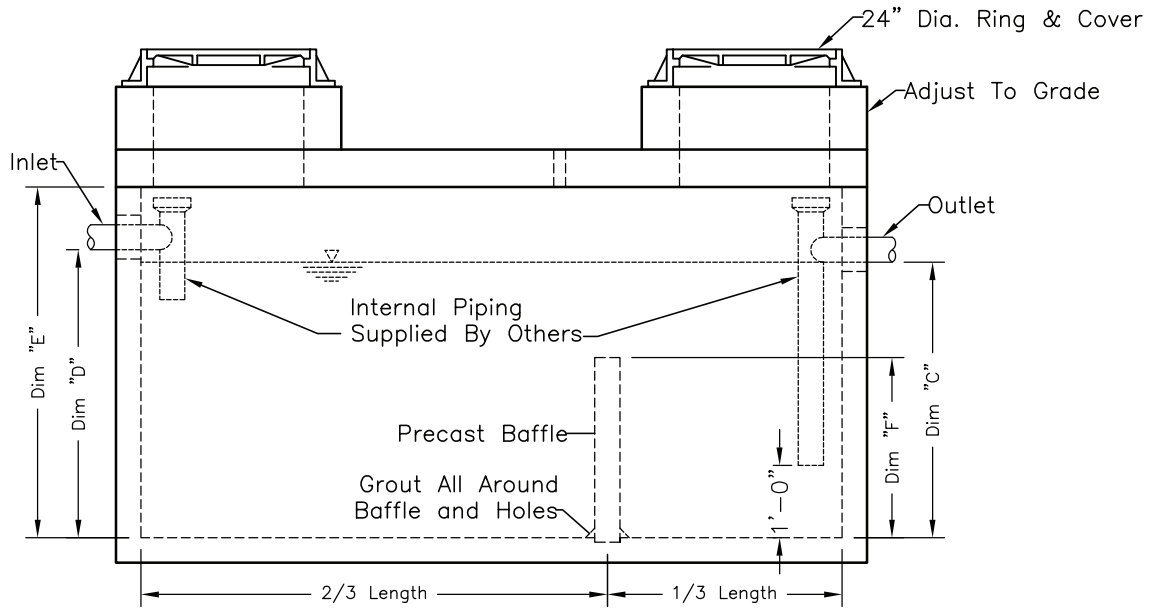
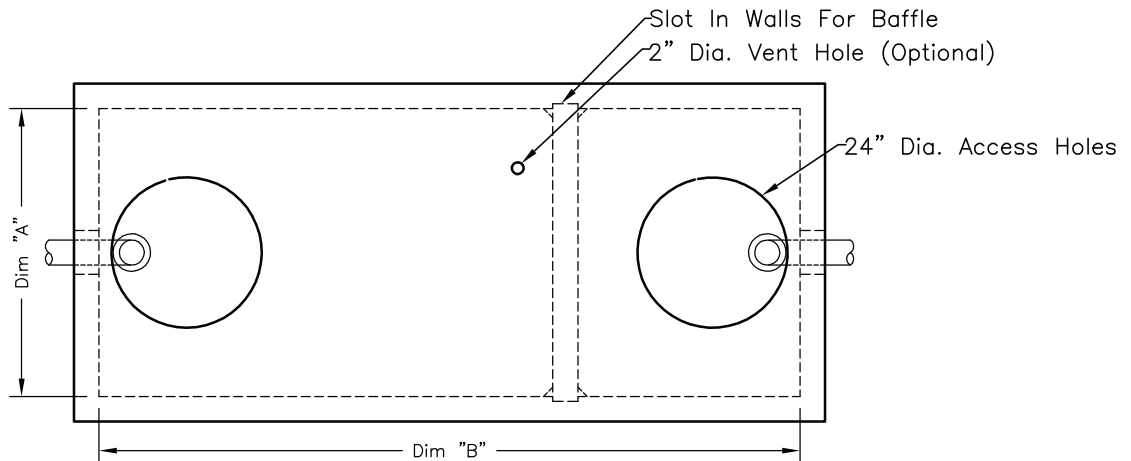


GALLON CAPACITY	MODEL No.	DIM "A"	DIM "B"	WATER DEPTH DIM "C"	DIM "D"	DIM "E"	DIM "F"	WEIGHT
320	463-SI	4'-0"	6'-0"	2'-0"	2'-2"	3'-0"	1'-4"	7,535
500	4113-SI	4'-0"	11'-0"	2'-0"	2'-2"	3'-0"	1'-4"	11,631
750	4114-SI	4'-0"	11'-0"	2'-6"	2'-8"	4'-0"	1'-8"	14,031
1000	41145-SI	4'-0"	11'-0"	3'-3"	3'-5"	4'-6"	2'-2"	16,231
1250	4115-SI	4'-0"	11'-0"	4'-0"	4'-2"	5'-0"	2'-8"	16,431
1500	4116-SI	4'-0"	11'-0"	5'-0"	5'-2"	6'-0"	3'-4"	18,831
1800	41165-SI	4'-0"	11'-0"	5'-6"	5'-8"	6'-6"	3'-8"	20,031
2000	4117-SI	4'-0"	11'-0"	6'-0"	6'-2"	7'-0"	4'-0"	21,231
2500	61266-SI	6'-0"	12'-6"	4'-6"	4'-8"	6'-0"	3'-8"	24,529
3000	61267-SI	6'-0"	12'-6"	5'-6"	5'-8"	7'-0"	2'-6"	27,454
3500	11125-SI	11'-0"	12'-0"	3'-8"	3'-10"	5'-0"	2'-6"	29,521
5000	11175-SI	11'-0"	17'-0"	3'-8"	3'-10"	5'-0"	2'-8"	37,702
5500	11176-SI	11'-0"	17'-0"	4'-0"	4'-2"	5'-9"	2'-8"	40,964
6000	11195-SI	11'-0"	19'-0"	4'-0"	4'-2"	5'-9"	2'-8"	44,462
7000	11225-SI	11'-0"	22'-0"	4'-0"	4'-2"	5'-0"	2'-8"	45,883
8000	11226-SI	11'-0"	22'-0"	4'-6"	4'-8"	5'-9"	3'-0"	49,708
9000	11276-SI	11'-0"	27'-0"	4'-0"	4'-2"	5'-9"	2'-8"	58,451
10000	11296-SI	11'-0"	29'-0"	4'-6"	4'-8"	5'-9"	3'-0"	61,949
11000	11348-SI	11'-0"	34'-0"	4'-0"	4'-2"	5'-9"	2'-8"	70,692



Elevation View



Plan View