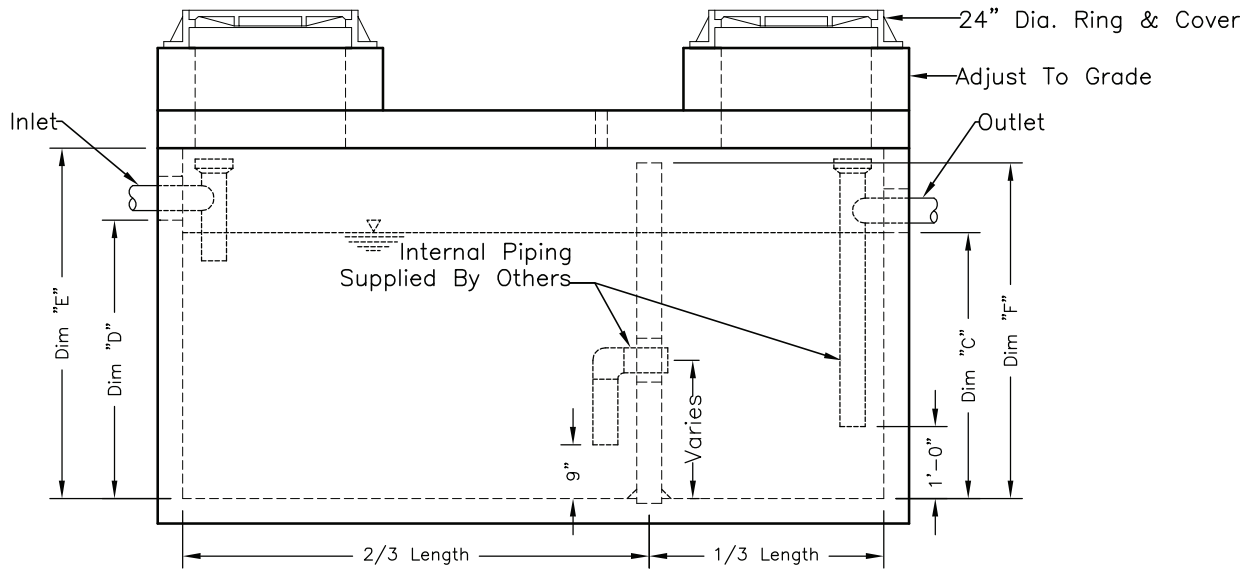
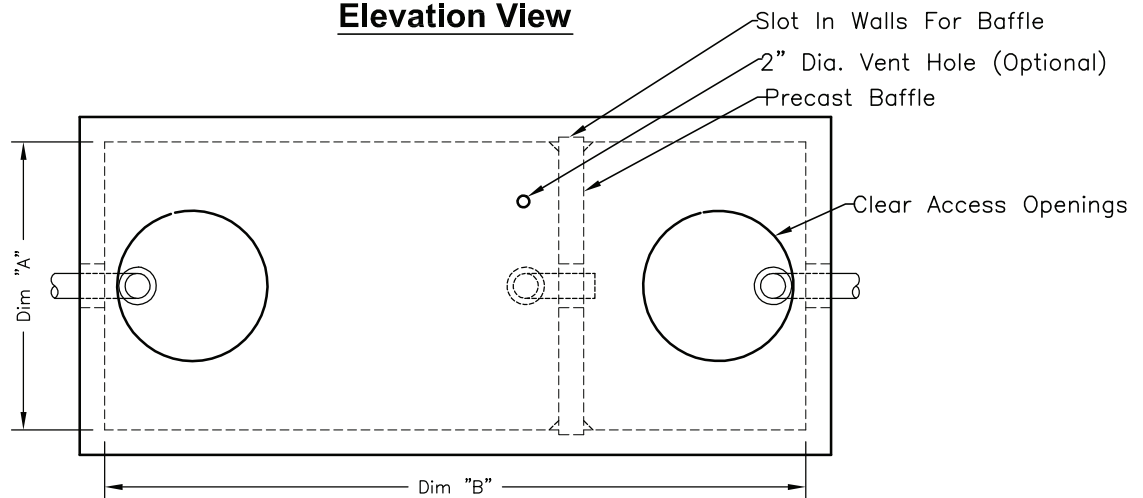


GALLON CAPACITY	MODEL No.	DIM "A"	DIM "B"	WATER DEPTH DIM "C"	DIM "D"	DIM "E"	DIM "F"	WEIGHT
320	463-GI	4'-0"	6'-0"	2'-0"	2'-2"	3'-0"	2'-10"	7,535
500	4113-GI	4'-0"	11'-0"	2'-0"	2'-2"	3'-0"	2'-10"	11,631
750	4114-GI	4'-0"	11'-0"	2'-6"	2'-8"	4'-0"	3'-10"	14,031
1000	41145-GI	4'-0"	11'-0"	3'-3"	3'-5"	4'-6"	4'-4"	15,300
1250	4115-GI	4'-0"	11'-0"	4'-0"	4'-2"	5'-0"	4'-10"	16,431
1500	4116-GI	4'-0"	11'-0"	5'-0"	5'-2"	6'-0"	5'-10"	18,831
1800	41165-GI	4'-0"	11'-0"	5'-6"	5'-8"	6'-6"	6'-4"	20,031
2000	4117-GI	4'-0"	11'-0"	6'-0"	6'-2"	7'-0"	6'-10"	21,231
2500	61266-GI	6'-0"	12'-6"	4'-6"	4'-8"	6'-0"	5'-10"	24,529
3000	61267-GI	6'-0"	12'-6"	5'-6"	5'-8"	7'-0"	6'-10"	27,454
3500	11125-GI	11'-0"	12'-0"	3'-8"	3'-10"	5'-0"	4'-10"	37,890
5000	11175-GI	11'-0"	17'-0"	3'-8"	3'-10"	5'-0"	4'-10"	47,085
5500	11176-GI	11'-0"	17'-0"	4'-0"	4'-2"	5'-9"	5'-7"	51,451
6000	11195-GI	11'-0"	19'-0"	4'-0"	4'-2"	5'-9"	5'-7"	55,897
7000	11225-GI	11'-0"	22'-0"	4'-0"	4'-2"	5'-0"	4'-10"	45,883
8000	11226-GI	11'-0"	22'-0"	4'-6"	4'-8"	5'-9"	5'-7"	62,566
9000	11276-GI	11'-0"	27'-0"	4'-0"	4'-2"	5'-9"	5'-7"	73,680
10000	11296-GI	11'-0"	29'-0"	4'-6"	4'-8"	5'-9"	5'-7"	78,126
11000	11348-GI	11'-0"	34'-0"	4'-0"	4'-2"	5'-9"	5'-7"	89,241

Design Criteria:

Uniform Plumbing Code – Appendix H
 Number of Meals Waste Flow Retention Storage Capacity
 Per Peak Hours X Rate X Time X Factor X In Gallons


Elevation View

Plan View
Notes:

1. Concrete: 28 Day Compressive Strength $f'c = 4500$ psi
2. Rebar: ASTM A-615 Grade 60
3. Mesh: ASTM A-185 Grade 65
4. Design: ACI-318-02 Building Code
 ASTM C-857 "Minimum Structural Design
 Loading For Underground Precast Concrete
 Utility Structures"
5. Loads: H-20 Truck Wheel w/ 30% Impact Per AASHTO
6. Fill w/ Clean Water Prior To Start-Up Of System
7. Contractor To Supply & Install All Piping & Sampling Tees
8. Gray Water Only.