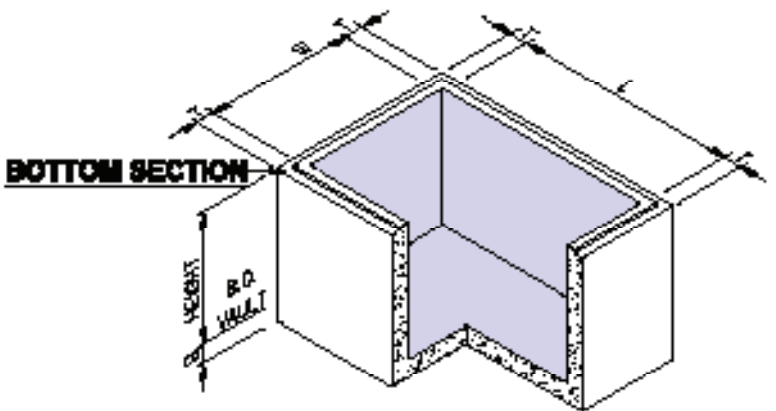
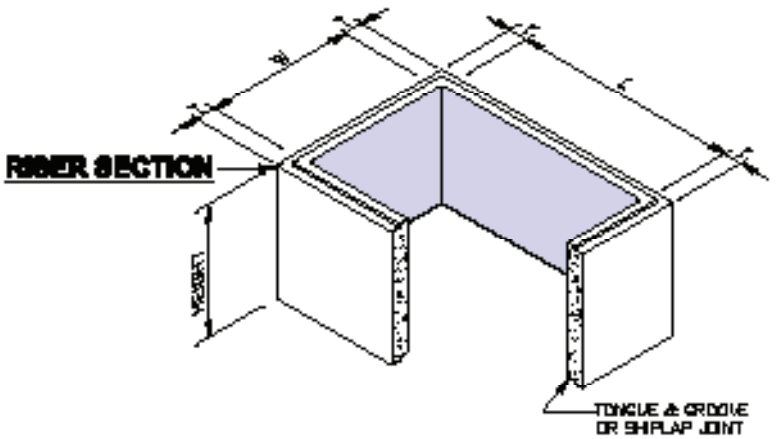
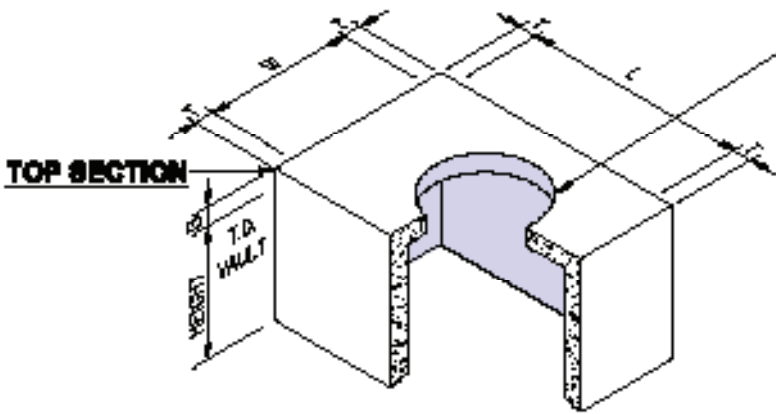


NOTE:

- ACCESS OPENING, ANY SIZE & LOCATION.
- INVERTED FIBRO & COVER, AS WELL AS STEEL OR ALUMINUM HATCHES CAN ALSO BE CAST IN.
- SLAB LID SECTION ALSO AVAILABLE.



| CATALOG NUMBER | W | L | T | B | DOPE TYPE | HEIGHT | WEIGHT TOP BASE | WEIGHT RISE |
|----------------|--------|--------|----|----|-----------|----------------|------------------|------------------|
| UVM-2870 | 2'-4" | 7'-0" | 8" | 8" | C | 4'-0" | 11,881 | 8,531 |
| UVM-2810 | 2'-2" | 10'-8" | 6" | 6" | C | 6'-0" | 15,170 | 12,793 |
| UVM-3030 | 3'-0" | 3'-0" | 6" | 8" | C | 6'-0" | 7,600 | 6,300 |
| UVM-3050 | 3'-0" | 5'-0" | 8" | 8" | C | 7'-0" | 15,811 | 13,067 |
| UVM-3010 | 3'-0" | 10'-0" | 8" | 8" | C | 4'-4" | 18,298 | 12,421 |
| UVM-3015 | 3'-0" | 19'-0" | 8" | 8" | C | 4'-4" | 29,135 | 16,794 |
| UVM-3434 | 3'-4" | 3'-4" | 4" | - | C | 4'-0" | - | 3,449 |
| UVM-3470 | 3'-4" | 7'-0" | 4" | - | C | 4'-0" | - | 6,798 |
| UVM-4040 | 4'-0" | 4'-0" | 8" | 8" | C | 4'-0" or 4'-4" | 12,078 or 12,277 | 10,800 or 14,833 |
| UVM-4080 | 4'-0" | 6'-0" | 8" | 8" | C | 4'-0" | 9,225 | 8,600 |
| UVM-4011 | 4'-0" | 11'-0" | 8" | 8" | C | 7'-0" | 21,300 | 18,800 |
| UVM-5090 | 5'-0" | 5'-0" | 6" | 6" | C | 4'-0" | 9,309 | 6,600 |
| UVM-5010 | 5'-0" | 10'-8" | 5" | 6" | T | 4'-0" | 13,950 | 7,800 |
| UVM-6060 | 6'-0" | 6'-0" | 6" | 8" | C | 3'-8" | 10,600 | 8,826 |
| UVM-6080 | 6'-0" | 8'-0" | 6" | 8" | C | 4'-0" | 13,725 | 9,000 |
| UVM-6080 | 6'-0" | 8'-0" | 6" | 8" | C | 7'-0" | 20,475 | 15,750 |
| UVM-6018 | 6'-0" | 18'-0" | 8" | 8" | C | 3'-8" | 32,860 | 18,515 |
| UVM-7080 | 7'-0" | 8'-0" | 6" | 8" | C | 7'-0" | 22,209 | 18,800 |
| UVM-8016 | 8'-0" | 16'-0" | 8" | 8" | C | 3'-8" | 33,911 | 17,733 |
| UVM-1010 | 10'-0" | 10'-0" | 6" | 6" | C | 3'-8" | 20,100 | 11,029 |

NOTE:

SPECIAL ACCESS, CASTOUTS, KIMCROUTE, PULL IN EYES, TRENCHBOXES, RACKS, ETC. CAN BE PLACED AS SPECIFIED. SEE ACCESSORY DRAWINGS FOR MORE DETAIL.

NOTE:

- DESIGNED FOR ASBESTO HS-88 LOADING.
- DESIGNED ACCORDING TO ASTM C871-87 AND ASTM C881-88.