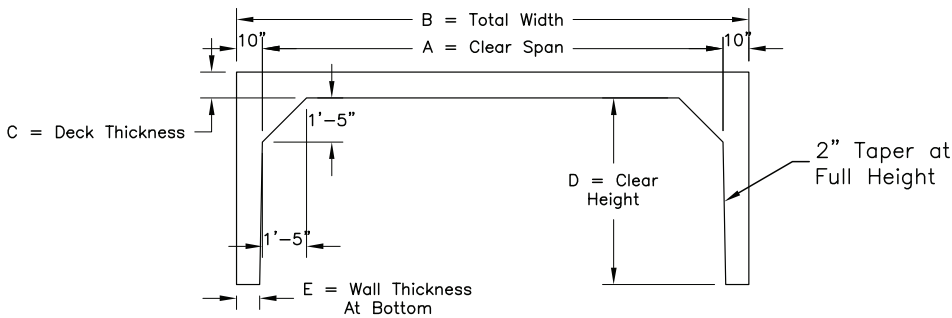
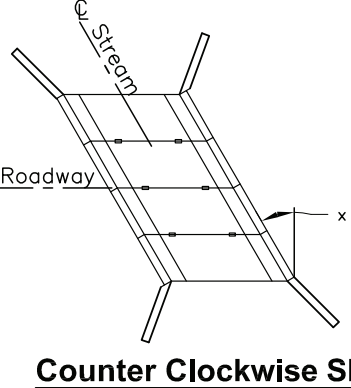
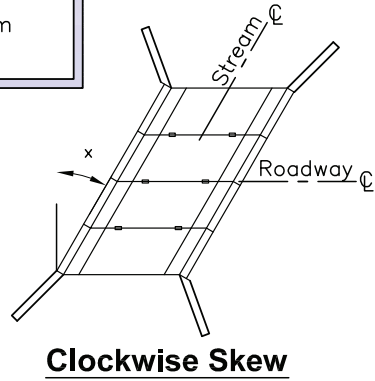
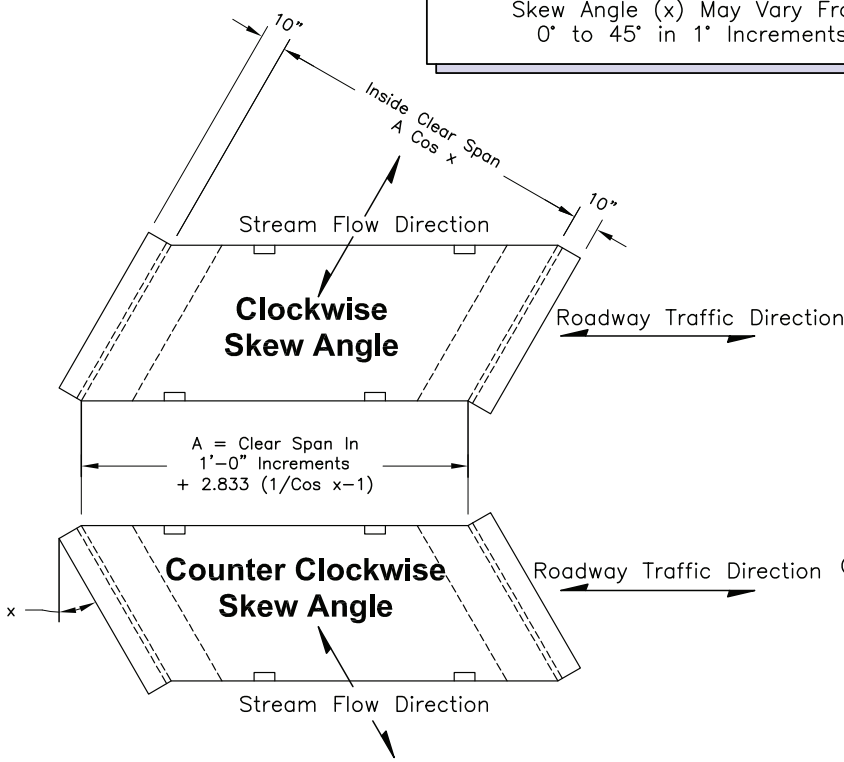
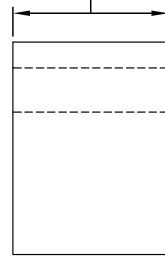


**Note:**  
Skew Angle (x) May Vary From 0° to 45° in 1° Increments



**Longitudinal Section**

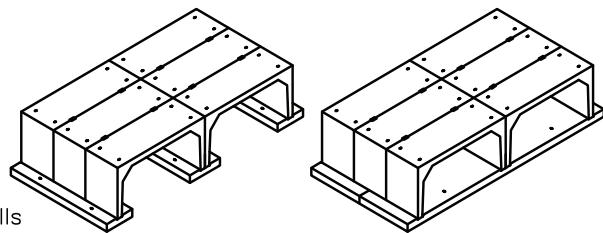
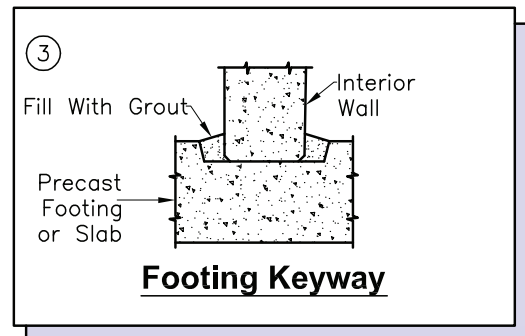
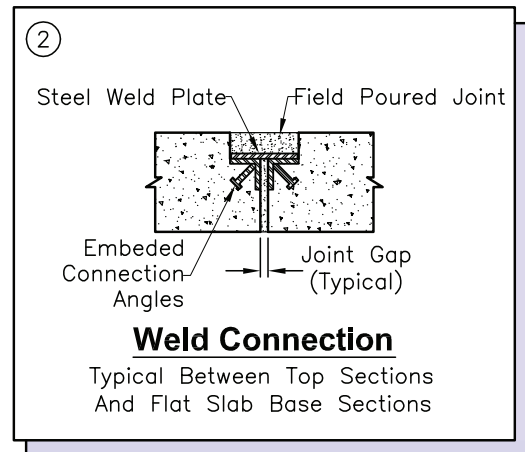
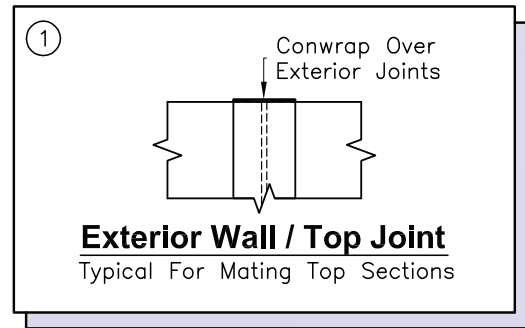
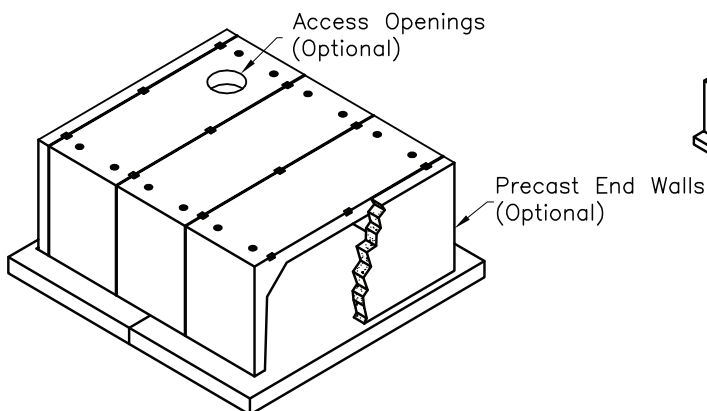
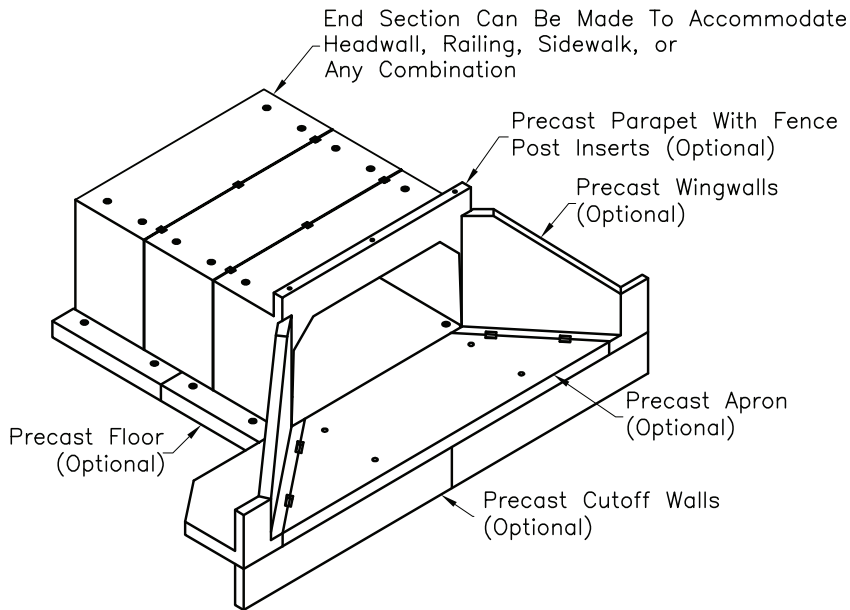
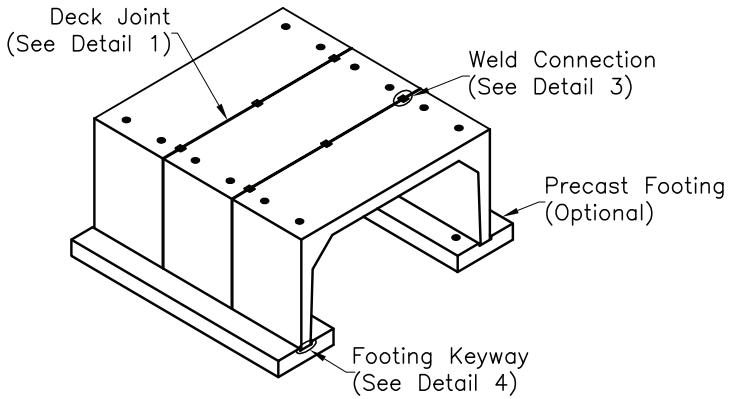
5'-0", 8'-0", & 10'-0"  
Standard Section Lengths



**Transverse Section**

Width May Vary From Standard To Economize On Freight And Labor

Sizing & Weights (Tons) for 5'-0" Section Length with 0° Skew																																					
A	12	13	14	15	16	17	18	19	20	21	22	23	24	25	26	27	28	29	30	31	32	33	34	35													
B	13.67	14.67	15.67	16.67	17.67	18.67	19.67	20.67	21.67	22.67	23.67	24.67	25.67	26.67	27.67	28.67	29.67	30.67	31.67	32.67	33.67	34.67	35.67	36.67													
C	10	10	10	10	10	10	10	10	12	12	12	12	12	12	12	12	14	14	14	14	14	14	16	16	16												
D=3'	6.9	7.2	7.5	7.8	8.1	8.4	8.8	9.1	10.7	11.1	11.5	11.9	12.2	12.6	13.0	13.4	15.6	16.0	16.5	16.9	17.3	19.9	20.4	20.9													
D=4'	7.5	7.8	8.1	8.4	8.7	9.0	9.3	9.7	11.3	11.7	12.1	12.5	12.8	13.2	13.6	14.0	16.2	16.6	17.1	17.5	17.9	20.5	21.0	21.5													
D=5'	8.1	8.4	8.7	9.0	9.3	9.6	9.9	10.2	11.9	12.3	12.7	13.0	13.4	13.8	14.2	14.5	16.8	17.2	17.6	18.1	18.5	21.1	21.6	22.1													
D=6'	8.6	8.9	9.2	9.6	9.9	10.2	10.5	10.8	12.5	12.8	13.2	13.6	14.0	14.3	14.7	15.1	17.3	17.8	18.2	18.6	19.1	21.7	22.2	22.7													
D=7'	9.2	9.5	9.8	10.1	10.4	10.7	11.0	11.4	13.0	13.4	13.8	14.2	14.5	14.9	15.3	15.7	17.9	18.3	18.8	19.2	19.6	22.2	22.7	23.2													
D=8'	9.7	10.0	10.3	10.6	11.0	11.3	11.6	11.9	13.6	13.9	14.3	14.7	15.1	15.4	15.8	16.2	18.4	18.9	19.3	19.7	20.2	22.8	23.3	23.8													
D=9'	10.2	10.5	10.9	11.2	11.5	11.8	12.1	12.4	14.1	14.5	14.8	15.2	15.6	16.0	16.3	16.7	18.9	19.4	19.8	20.3	20.7	23.3	23.8	24.3													
D=10'	10.7	11.0	11.4	11.7	12.0	12.3	12.6	12.9	14.6	15.0	15.3	15.7	16.1	16.5	16.8	17.2	19.4	19.9	20.3	20.8	21.2	23.8	24.3	24.8													



**Multiple Cell Installations**