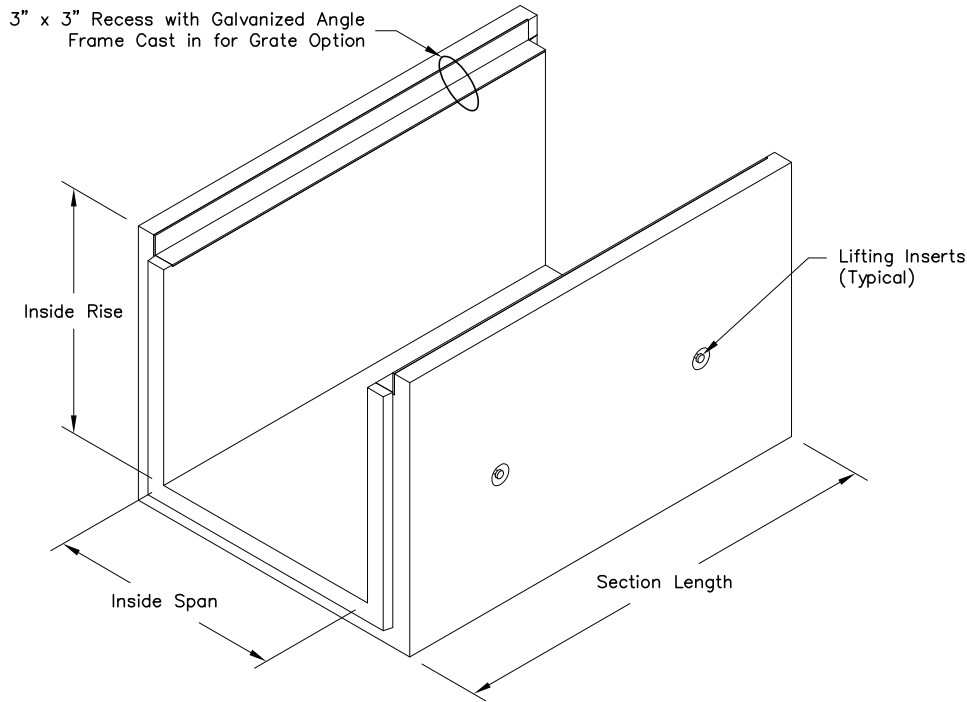


Typical Trench Sizing		
Span	Max. Rise	Wall Thickness
2'-0"	2'-0"	4"
2'-2"	3'-0"	6"
2'-8"	3'-0"	6"
3'-0"	3'-0"	6"
3'-4"	4'-0"	6"
4'-0"	6'-0"	6"
5'-0"	3'-6"	6"
6'-0"	7'-0"	6"
7'-0"	7'-0"	6"
8'-0"	7'-0"	6"
10'-0"	3'-6"	6"
11'-0"	5'-9"	8"
12'-0"	5'-9"	8"



**Trench Isometric View**