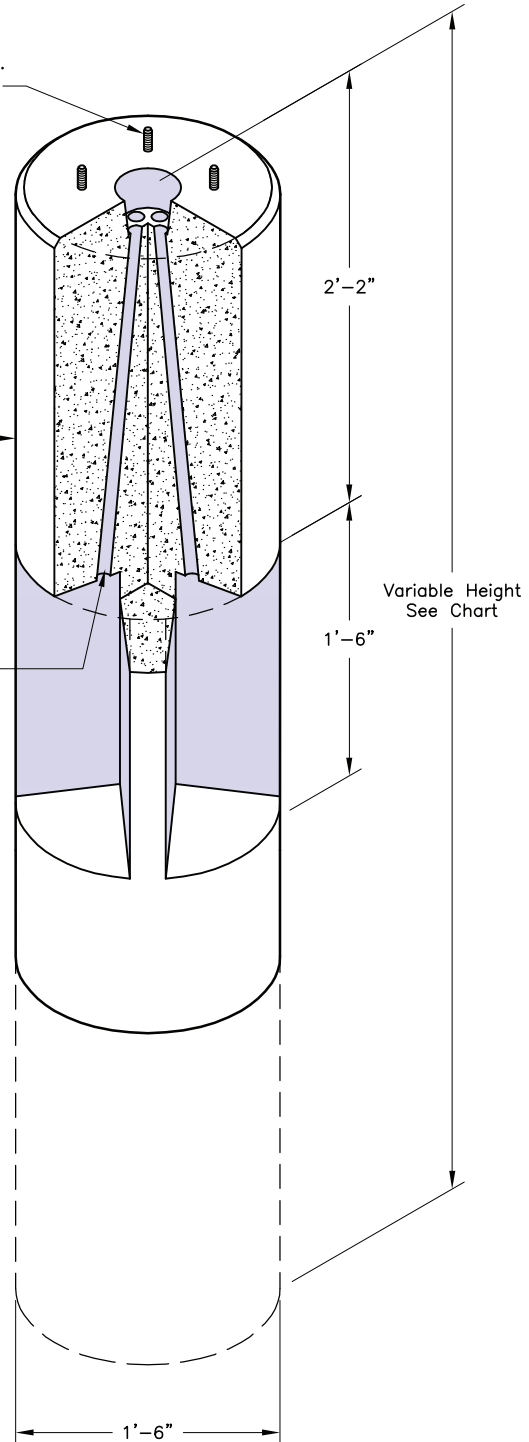


Anchor Bolts  
 Size and Spacing As Required  
 Minimum Bolt Circle = 8" Dia.  
 Maximum Bolt Circle = 14" Dia.  
**CUSTOMER TO SUPPLY**

**Lamp Base**  
**18Ø-LP-B**  
 See Chart For Weights

**Conduit Raceway**  
 (1) ½" or 2"  
 SCH-40PVC



Ø18" LIGHT POLE BASE		
ITEM CODE	HEIGHT	WEIGHT
1000365	5'-0"	1,463 lbs.
1000370	6'-0"	1,728 lbs.
1000375	7'-0"	1,993 lbs.
1000380	8'-0"	2,258 lbs.
1000385	9'-0"	2,523 lbs.
1000390	10'-0"	2,788 lbs.