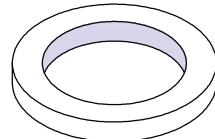
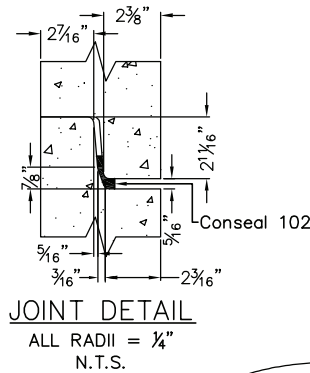


RING & COVER

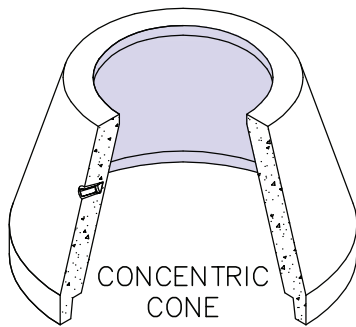


GRADE RING

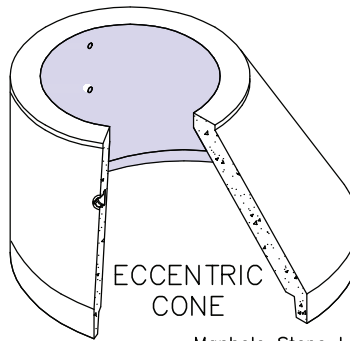


Grade Ring Options

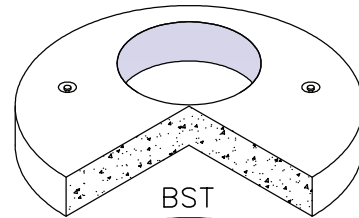
Height	Access	Weight
0'-2"	ø24"	80 lbs.
0'-3"	ø24"	120 lbs.
0'-4"	ø24"	160 lbs.
0'-6"	ø24"	240 lbs.
0'-2"	ø30"	118 lbs.
0'-3"	ø30"	177 lbs.
0'-4"	ø30"	236 lbs.
0'-6"	ø30"	354 lbs.



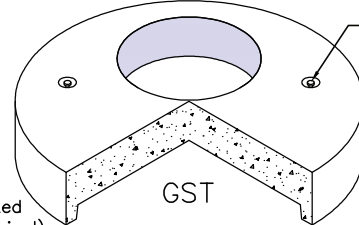
CONCENTRIC CONE



ECCENTRIC CONE



BST



GST

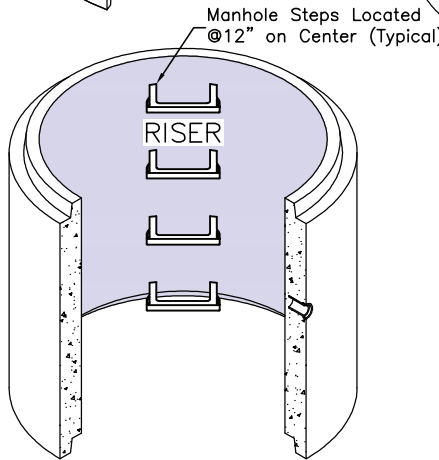
1 Ton Universal Easy Lifters UEL-4

Eccentric Cone Options

Height	Access	Weight	Lift Gear
2'-6"	ø24"	2,250 lbs.	MH Lifting Cups
2'-6"	ø30"	2,250 lbs.	MH Lifting Cups
3'-0"	ø24"	2,660 lbs.	MH Lifting Cups

Concentric Cone Options

Height	Access	Weight	Lift Gear
3'-0"	ø24"	2,660 lbs.	MH Lifting Cups



RISER

Riser Options

Height	Weight	Lift Gear
1'-0"	868 lbs.	MH Lifting Cups
1'-6"	1,302 lbs.	MH Lifting Cups
2'-0"	1,736 lbs.	MH Lifting Cups
3'-0"	2,604 lbs.	MH Lifting Cups
4'-0"	3,472 lbs.	MH Lifting Cups

Butt Slab Top Options (BST)

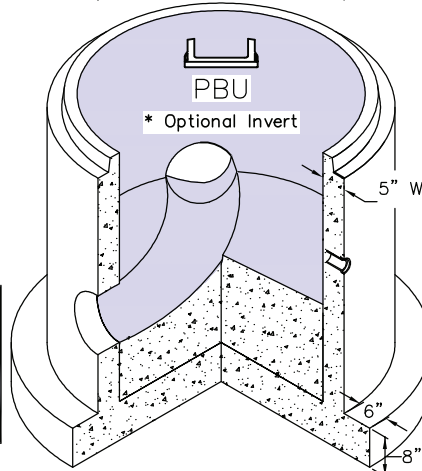
*Access Hole Size And Location May Vary

Height	Access	Weight	Lift Gear
8"	ø24"	1,521 lbs.	2 Ton Swift Lift
8"	ø30"	1,344 lbs.	2 Ton Swift Lift

Groove Slab Top Options (GST)

*Access Hole Size And Location May Vary

Height	Access	Weight	Lift Gear
10 3/4"	ø24"	1,630 lbs.	2 Ton Swift Lift
10 3/4"	ø30"	1,453 lbs.	2 Ton Swift Lift



PBU

* Optional Invert

5" Wall Thickness (Typical)

Base Options (PBU)

**Weights Shown Do Not Include Invert

Height	Weight	Lift Gear
2'-0"	4,493 lbs.	MH Lifting Cups
2'-6"	4,927 lbs.	MH Lifting Cups
3'-0"	5,360 lbs.	MH Lifting Cups
4'-0"	6,228 lbs.	MH Lifting Cups

***Approximate invert weight = 2,000 lbs.

Notes

1. ALL MANHOLE MATERIAL IS DESIGNED AND MANUFACTURED ACCORDING TO ASTM C-478 SPECIFICATIONS.
2. ALL MANHOLE MATERIAL IS SUITABLE FOR HS-20 LOADING.