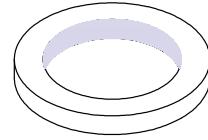
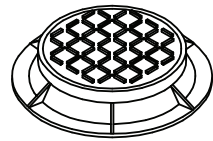


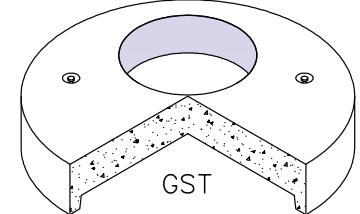
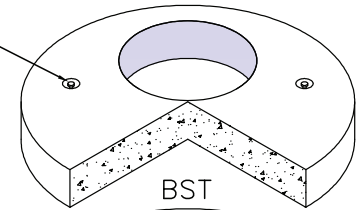
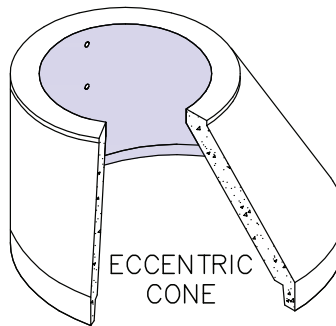
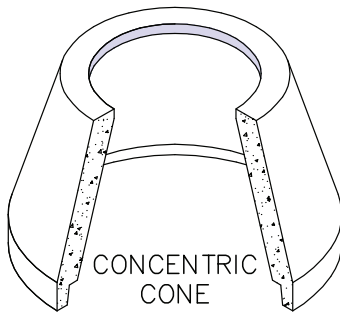
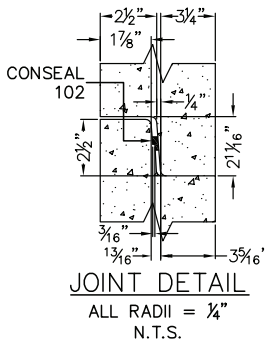
**Joint Options**

TXG	TXB
BXG	BxB



**Grade Ring Options**

Height	Access	Weight	Height	Access	Weight
0'-2"	Ø24"	80 lbs.	0'-2"	Ø37"	142 lbs.
0'-3"	Ø24"	120 lbs.	0'-4"	Ø37"	284 lbs.
0'-4"	Ø24"	160 lbs.	0'-6"	Ø37"	426 lbs.
0'-6"	Ø24"	240 lbs.	1'-0"	Ø37"	852 lbs.
0'-2"	Ø30"	118 lbs.			
0'-3"	Ø30"	177 lbs.			
0'-4"	Ø30"	236 lbs.			
0'-6"	Ø30"	354 lbs.			



1 Ton Universal Easy Lifters UEL-4

Manhole Steps Located @12" on Center (Typical)

**Eccentric Cone Options**

Height	Access	Weight	Lift Gear
2'-0"	Ø30"	2,600 lbs.	Easy Lifters
2'-6"	Ø24"	2,730 lbs.	Easy Lifters
3'-0"	Ø24"	3,274 lbs.	Easy Lifters

**Concentric Cone Options**

Height	Access	Weight	Lift Gear
3'-6"	Ø24"	3,820 lbs.	Easy Lifters

**Butt Slab Top Options (BST)**

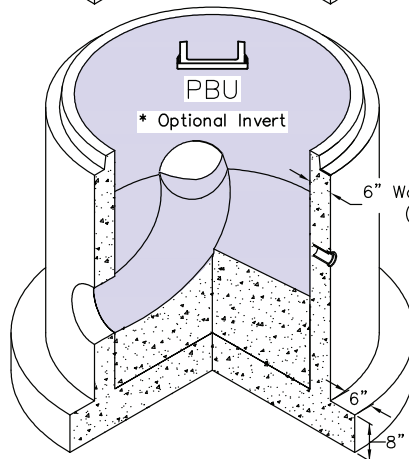
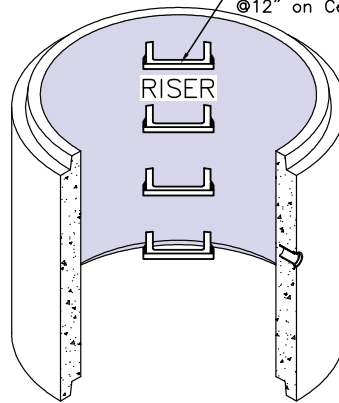
\*Access Hole Size And Location May Vary

Height	Access	Weight	Lift Gear
8"	Ø24"	2,515 lbs.	Easy Lifters
8"	Ø30"	2,338 lbs.	Easy Lifters
8"	Ø36"	2,122 lbs.	Easy Lifters

**Groove Slab Top Options (GST)**

\*Access Hole Size And Location May Vary

Height	Access	Weight	Lift Gear
10 3/4"	Ø24"	2,651 lbs.	Easy Lifters
10 3/4"	Ø30"	2,474 lbs.	Easy Lifters
10 3/4"	Ø36"	2,258 lbs.	Easy Lifters



**Riser Options**

Height	Weight	Lift Gear
1'-0"	1,296 lbs.	MH Lifting Cups Easy Lifters
2'-0"	2,592 lbs.	MH Lifting Cups Easy Lifters
3'-0"	3,888 lbs.	MH Lifting Cups Easy Lifters
4'-0"	5,184 lbs.	MH Lifting Cups Easy Lifters

**Base Options (PBU)**

\*\*Weights Shown Do Not Include Invert

Height	Weight	Lift Gear
2'-0"	6,573 lbs.	Easy Lifters
3'-0"	7,869 lbs.	Easy Lifters
4'-0"	9,165 lbs.	Easy Lifters
5'-0"	10,461 lbs.	Easy Lifters
6'-0"	11,757 lbs.	Easy Lifters

\*\*\*Approximate invert weight = 6,500 lbs.

**Notes**

- ALL MANHOLE MATERIAL IS DESIGNED AND MANUFACTURED ACCORDING TO ASTM C-478 SPECIFICATIONS.
- ALL MANHOLE MATERIAL IS SUITABLE FOR HS-20 LOADING.