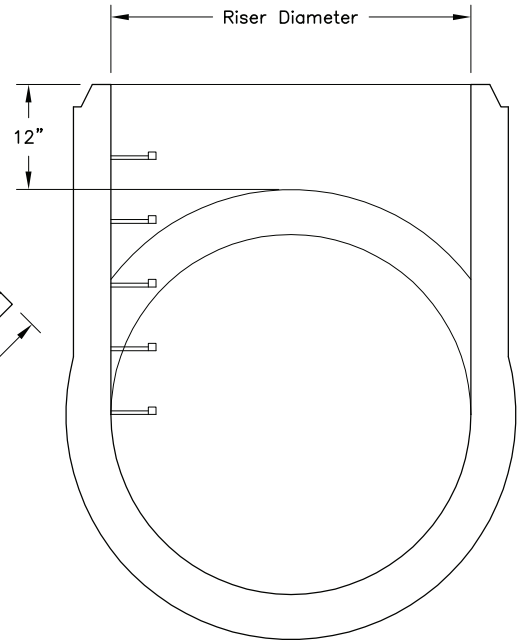

Plan View

Section A-A

Special Identification MH#	Station:	+
Pipe Dia. / Class:		
Riser Dia. =	by =	
Bell Leg =		
Spigot Leg =		
Angle θ (Degrees) =		
Direction of Bend =		
*Direction of Bend (Right or Left) as Looking into the Bell End		

Drawing #	Project	Date