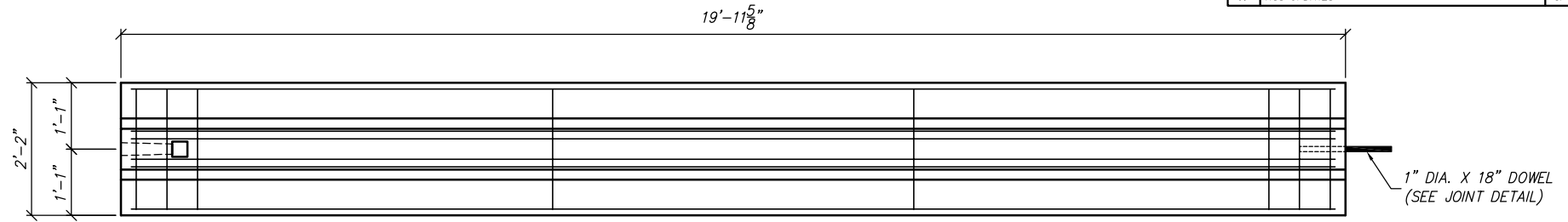
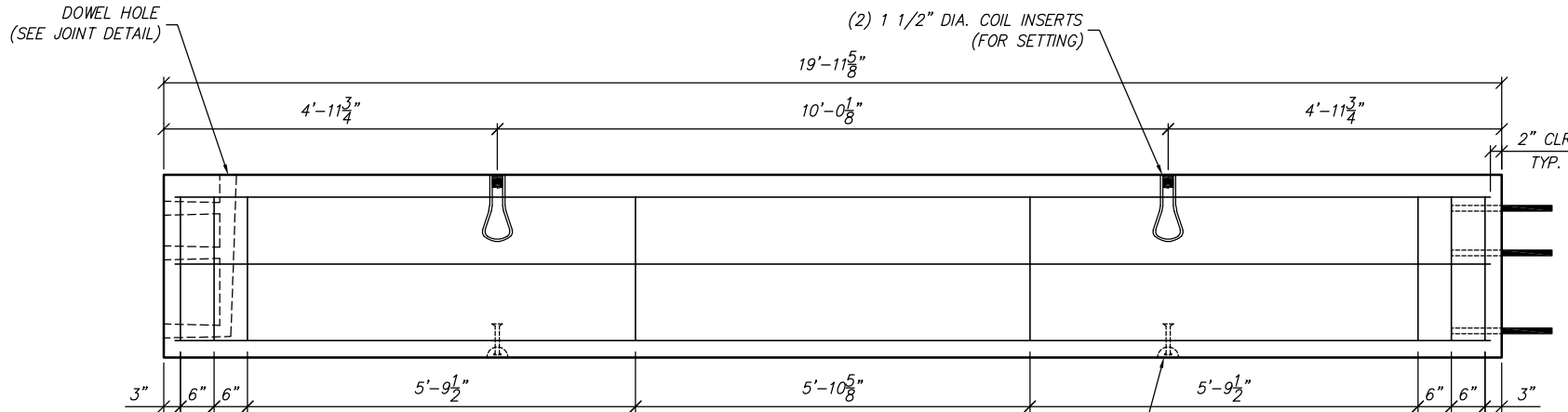


REV	DESCRIPTION	BY	DATE
A	NCS UPDATES	CP	7/31/17



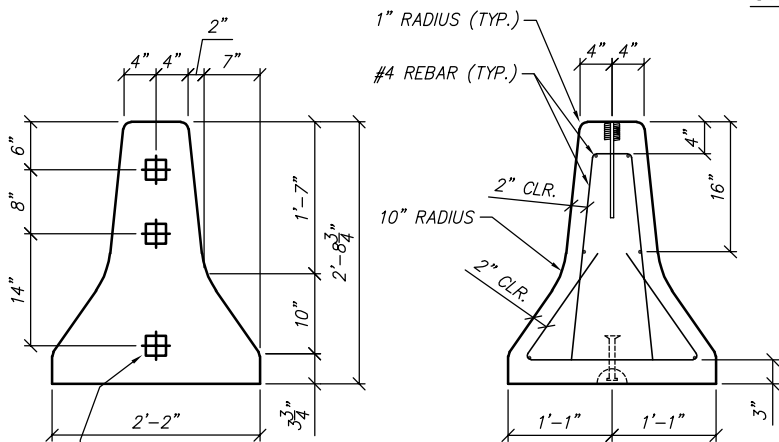
**PLAN VIEW**

SCALE: 3/8" = 1'-0"



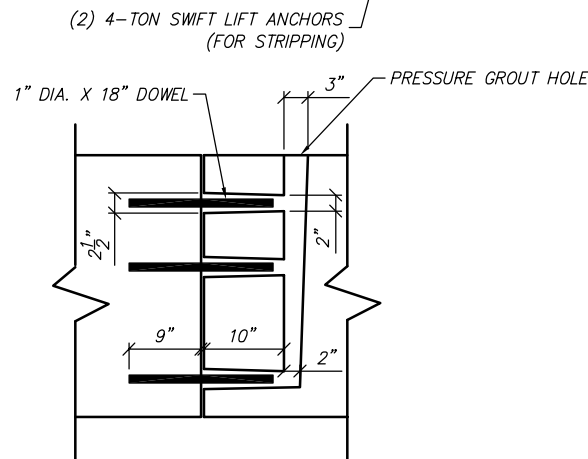
**SIDE ELEVATION**

SCALE: 3/8" = 1'-0"



**SECTION VIEW**

SCALE: 1/2" = 1'-0"



**JOINT DETAIL**

SCALE: 1/2" = 1'-0"

2 1/2" X 2 1/2" DOWEL HOLE  
(SEE JOINT DETAIL)

**END VIEW**

SCALE: 1/2" = 1'-0"

**STRUCTURAL NOTES**

1. CONCRETE: 28 DAY COMPRESSIVE STRENGTH  $f_c = 5,000$  psi
2. REBAR: ASTM A-615 GRADE 60
3. DESIGN: ACI 318-14 BUILDING CODE



THIS DOCUMENT IS THE PROPERTY OF OLDCASTLE PRECAST, INC. IT IS CONFIDENTIAL, SUBMITTED FOR REFERENCE PURPOSES ONLY, AND SHALL NOT BE USED IN ANY WAY INJURIOUS TO THE INTERESTS OF, OR WITHOUT THE WRITTEN PERMISSION OF OLDCASTLE PRECAST, INC. COPYRIGHT ©2017 OLDCASTLE PRECAST, INC. ALL RIGHTS RESERVED

**PRECAST MEDIAN BARRIER**

ARIZONA DEPARTMENT OF TRANSPORTATION  
C-10.14

CUSTOMER  
**A.D.O.T. STANDARD**

DATE	SALES	DRAWN	ENGINEER	CHECKED	SALES ORDER
1/28/97		JM			---
DRAWING NUMBER				REVISION	SHEET
H3000-1				---	1 OF 1
				REV DATE	