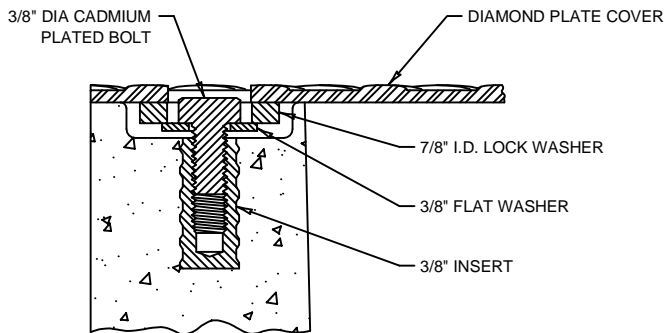
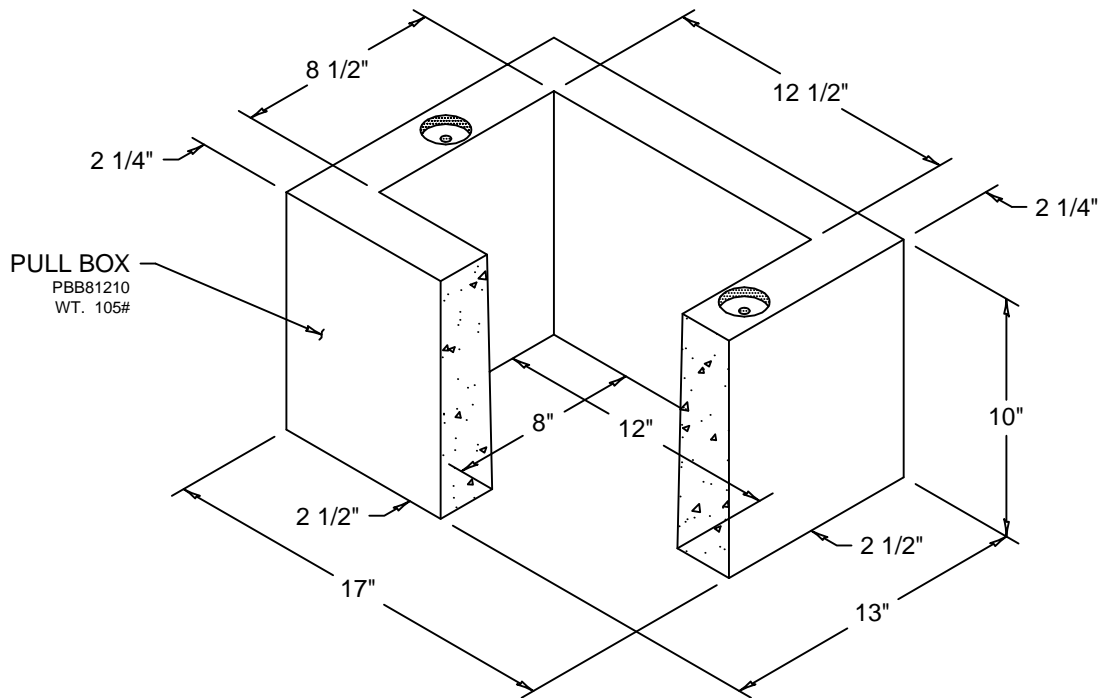
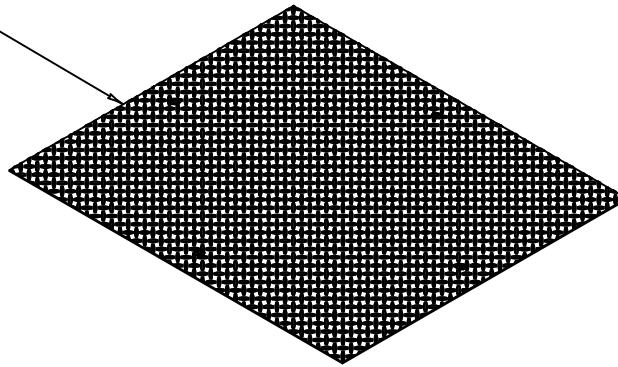


COVER
 1/8" STEEL DIAMOND PLATE
 PAINTED WITH CORROSION
 PREVENTATIVE PAINT
 WT. 9.5#

NOTE:
 COVER IS NOT TRAFFIC RATED

NOTE:
 GALVANIZED COVERS ARE
 AVAILABLE UPON REQUEST



FASTENER DETAIL
 TYPICAL BOTH ENDS

NOTE:
 THE BOX SHALL BE REINFORCED WITH WELDED
 WIRE MESH CONTINUOUSLY WITHIN THE WALLS.



2240 S. Yellowstone Hwy, Idaho Falls, Idaho 83402
 Phone: 208-522-6150 Fax: 208-522-9701

VAULTS

FILE NAME: 230TBPB01

ISSUE DATE: 1/2011

www.oldcastleprecast.com

PULL BOX
8" X 12" X 10"
ISO View

Copyright © 2011