

10' State Median Barrier
3640 LBS



2240 S. Yellowstone Hwy, Idaho Falls, Idaho 83402
Phone: 208-522-6150 Fax: 208-522-9701

Median Barrier

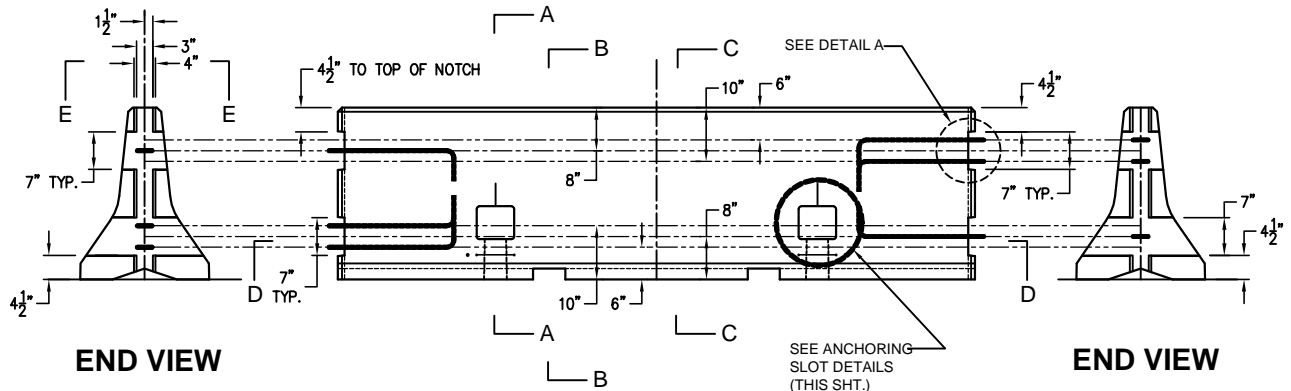
FILE NAME: 230TBMB03

ISSUE DATE: 1/2011

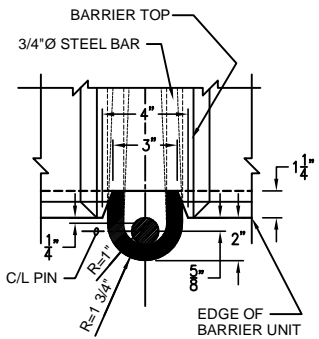
www.oldcastleprecast.com

10' State Median Barrier
2'-0" x 2'-8" x 10'-0"

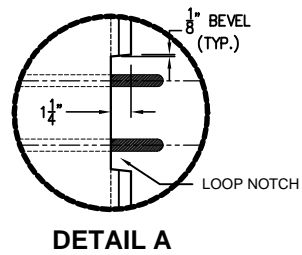
Copyright © 2011



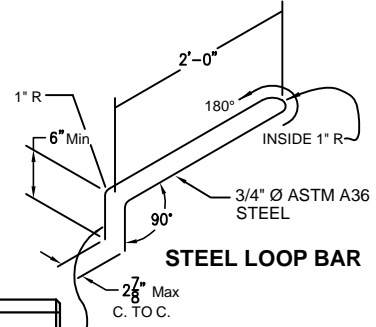
ELEVATION - CONNECTION LOOPS & NOTCHES



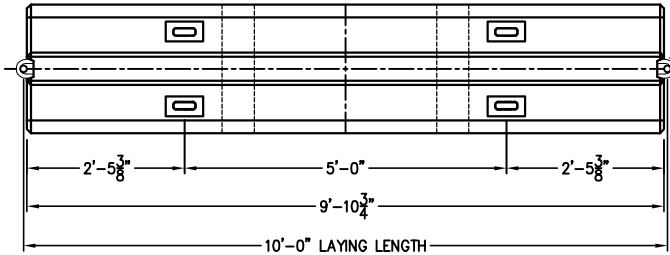
SECTION E-E



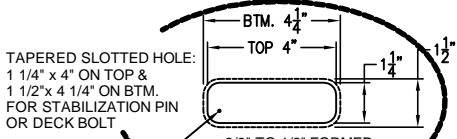
DETAIL A



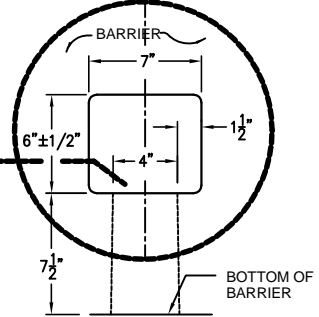
STEEL LOOP BAR



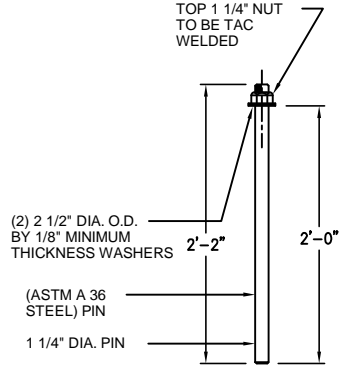
PLAN VIEW



VIEW - LOOKING DOWN ON ANCHORING SLOT



ANCHORING SLOT DETAIL



CONNECTION PIN



2240 S. Yellowstone Hwy, Idaho Falls, Idaho 83402
Phone: 208-522-6150 Fax: 208-522-9701

Median Barrier

FILE NAME: 230TBMB03
ISSUE DATE: 1/2011
www.oldcastleprecast.com

**10' State Median Barrier
2'-0" x 2'-8" x 10'-0"**

Copyright © 2011