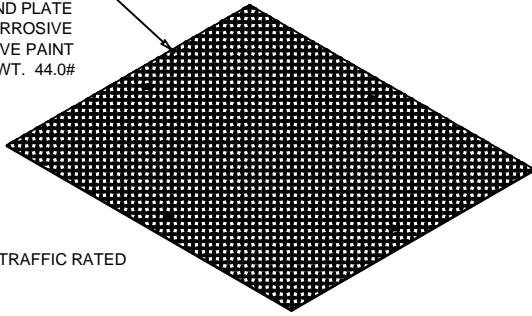


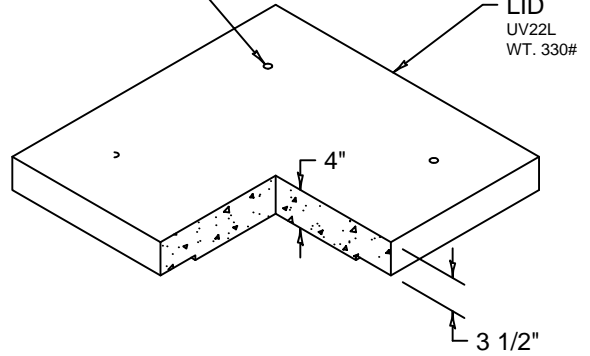
COVER
 1/8" STEEL DIAMOND PLATE
 PAINTED WITH CORROSIVE
 PREVENTATIVE PAINT
 WT. 44.0#



NOTE:
 COVER IS NOT TRAFFIC RATED

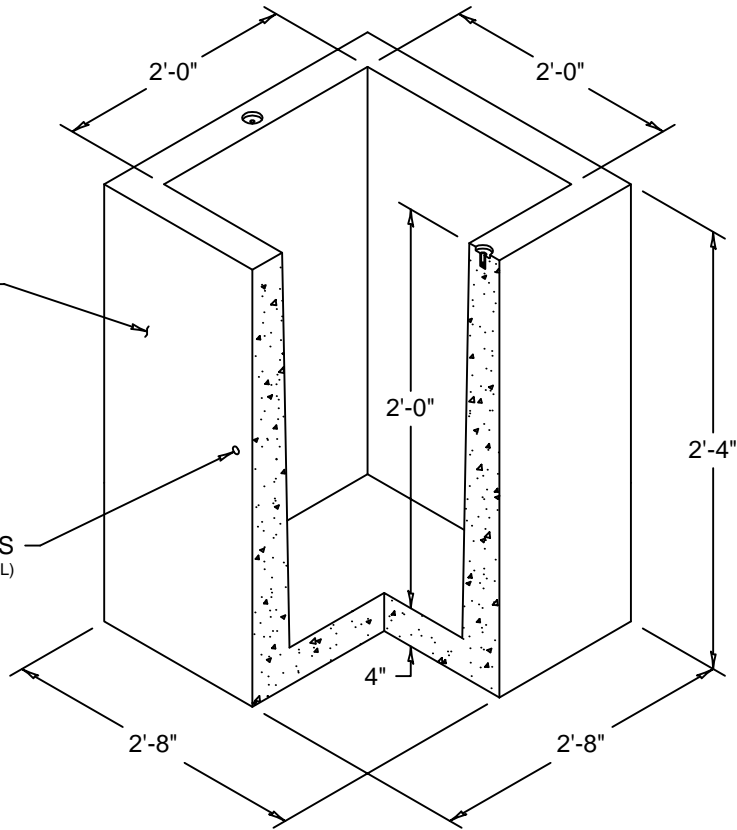
NOTE:
 GALVANIZED COVERS ARE
 AVAILABLE UPON REQUEST

LIFTING INSERTS
 IC.75 (3/4" COIL)



VAULT
 WT. 1,315#

LIFTING INSERTS
 IC.75 (3/4" COIL)



NOTES:

1. OPENINGS MAY BE SIZED AND LOCATED AS REQUIRED.
2. OPTIONAL ACCESSORIES MAY BE CAST IN AS REQUIRED.
3. FOR OPTIONAL ACCESSORIES CHECK ACCESSORIES / HARDWARE SECTION.
4. IT IS RECOMMENDED THAT BITUMINOUS MASTIC BE USED AT ALL JOINTS.



2240 S. Yellowstone Hwy, Idaho Falls, Idaho 83402
 Phone: 208-522-6150 Fax: 208-522-9701

VAULTS

FILE NAME: 230TBUV01

ISSUE DATE: 1/2011

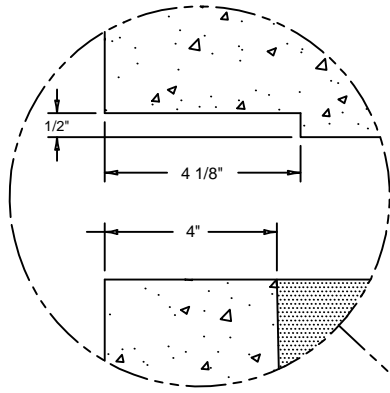
www.oldcastleprecast.com

Utility Vault

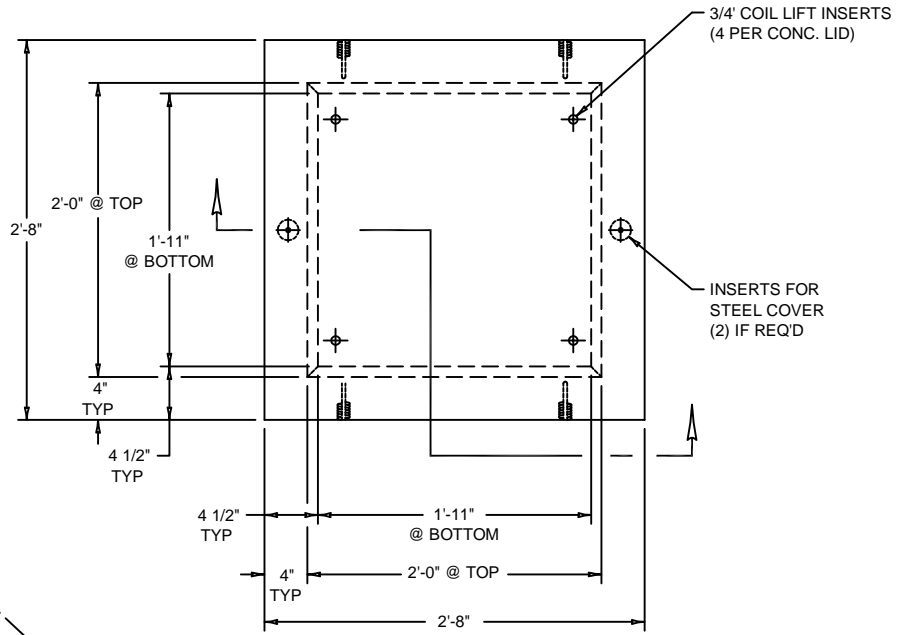
2' X 2' X 2'

ISO View

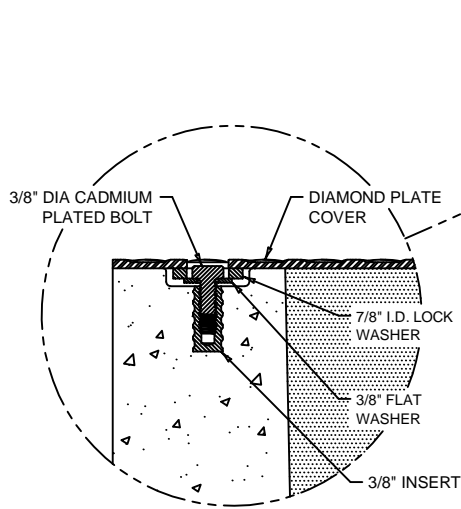
Copyright © 2011



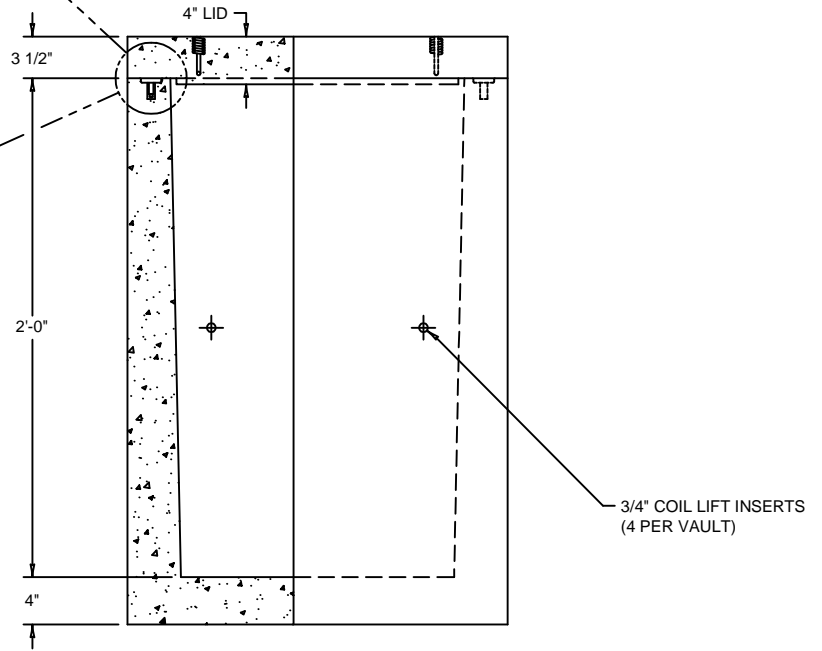
JOINT DETAIL
(FOR CONCRETE LID)
SHOWN OPEN
FOR CLARITY



PLAN VIEW



FASTENER DETAIL
(FOR STEEL COVER ONLY)
TYPICAL (2) PLACES



SECTION VIEW



2240 S. Yellowstone Hwy, Idaho Falls, Idaho 83402
Phone: 208-522-6150 Fax: 208-522-9701

VAULTS

FILE NAME: 230TBUV01

ISSUE DATE: 1/2011

www.oldcastleprecast.com

Utility Vault

2' X 2' X 2'

Copyright © 2011