

**7' Terminal End  
2920 LBS**



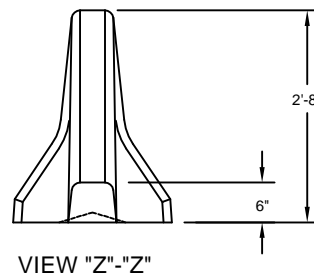
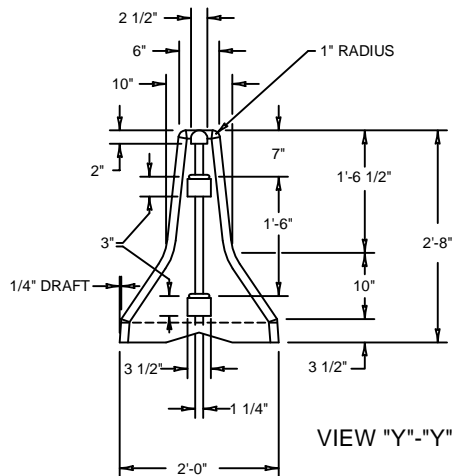
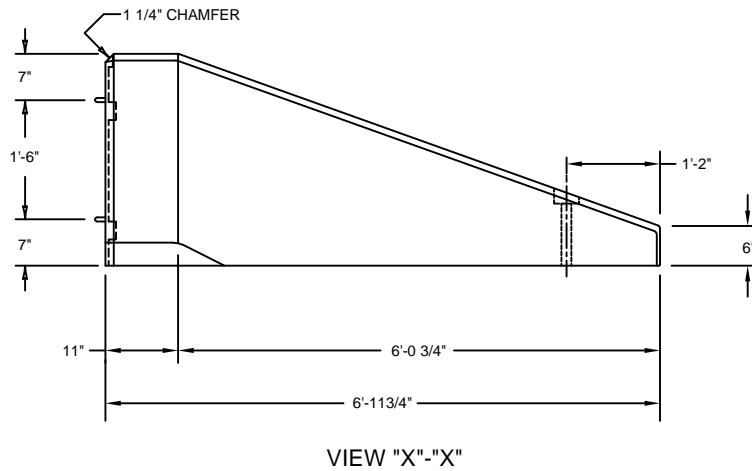
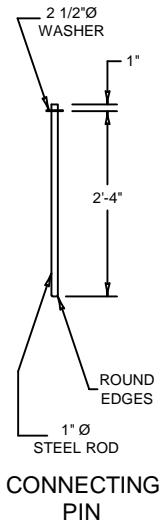
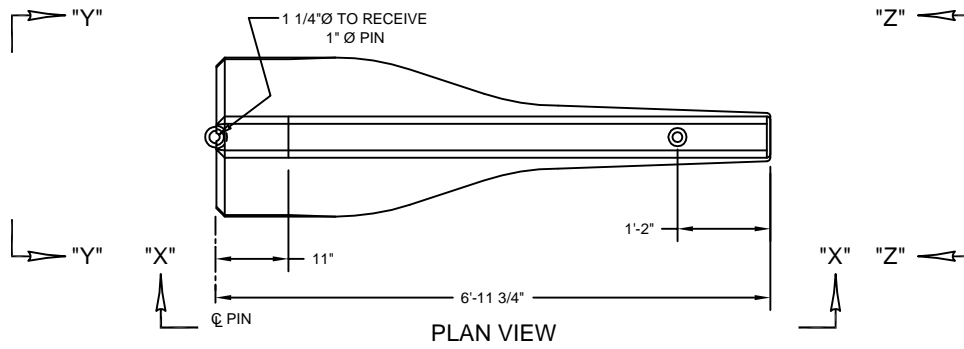
2240 S. Yellowstone Hwy, Idaho Falls, Idaho 83402  
 Phone: 208-522-6150 Fax: 208-522-9701

**Median Barrier**

FILE NAME: 230TBMB02
ISSUE DATE: 1/2011
<a href="http://www.oldcastleprecast.com">www.oldcastleprecast.com</a>

**7' Terminal End Barrier  
2'-0" x 2'-8" x 7'-0"**

Copyright © 2011



2240 S. Yellowstone Hwy, Idaho Falls, Idaho 83402  
 Phone: 208-522-6150 Fax: 208-522-9701

## Median Barrier

FILE NAME: 230TBMB02

ISSUE DATE: 1/2011

[www.oldcastleprecast.com](http://www.oldcastleprecast.com)

**7' Terminal End Barrier**  
**2'-0" x 2'-8" x 7'-0"**

Copyright © 2011