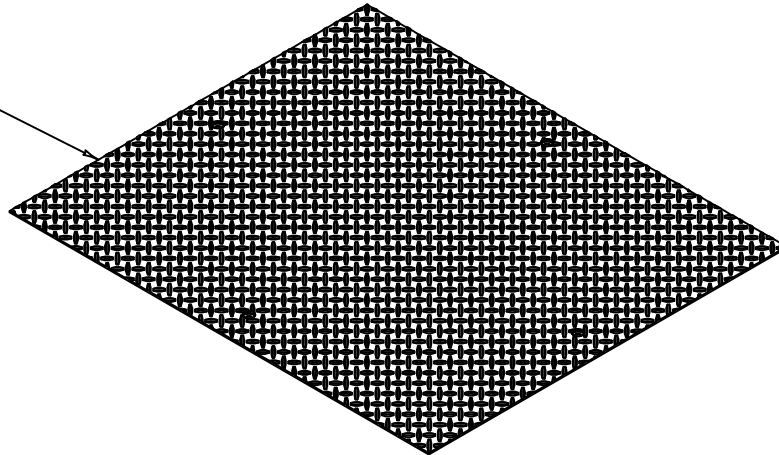


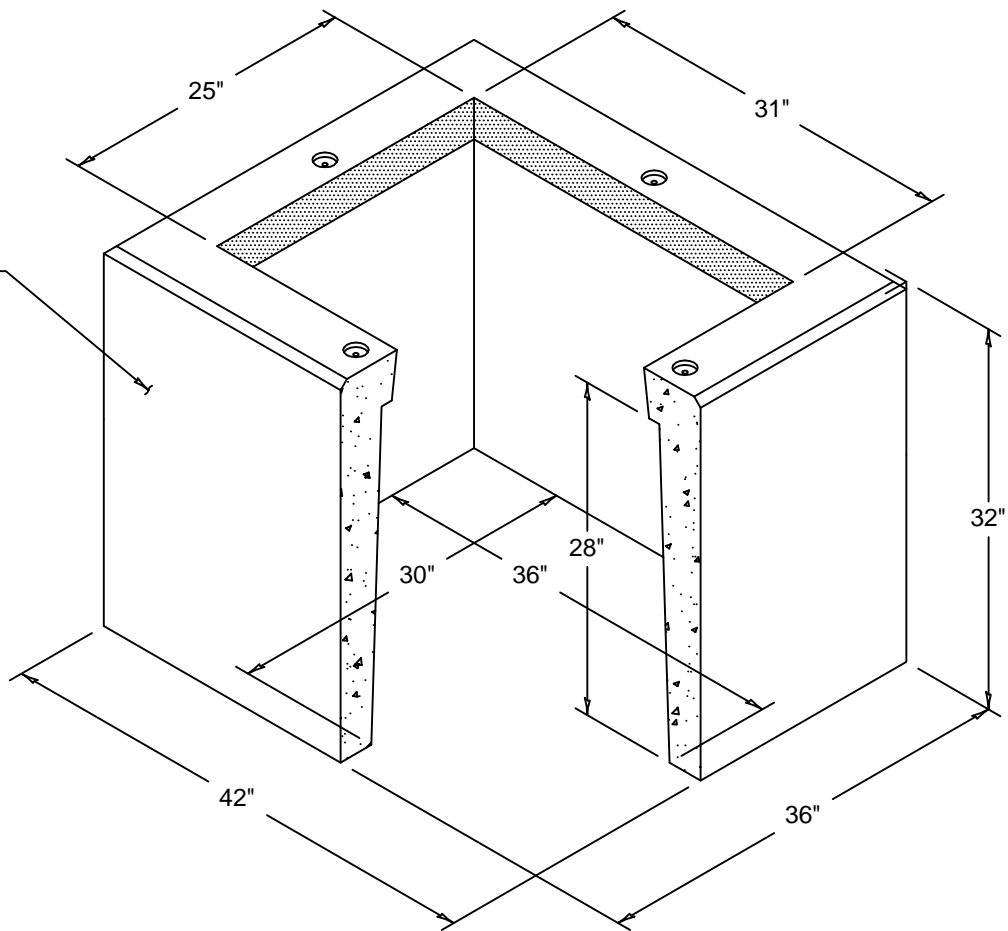
**COVER**  
 1/8" STEEL DIAMOND PLATE  
 PAINTED WITH CORROSIVE  
 PREVENTATIVE PAINT  
 WT. 61.0#

NOTE:  
 COVER IS NOT TRAFFIC RATED

NOTE:  
 GALVANIZED COVERS ARE  
 AVAILABLE UPON REQUEST



**PULL BOX**  
 PBD303628  
 WT. 1,430#



NOTE:  
 THE BOX SHALL BE REINFORCED WITH A #3 REBAR  
 HOOP 2" BELOW THE TOP OF THE BOX & 10 GA. WELDED  
 WIRE MESH CONTINUOUSLY WITHIN THE WALLS.



2240 S. Yellowstone Hwy, Idaho Falls, Idaho 83402  
 Phone: 208-522-6150 Fax: 208-522-9701

## VAULTS

FILE NAME: 230TBPB03

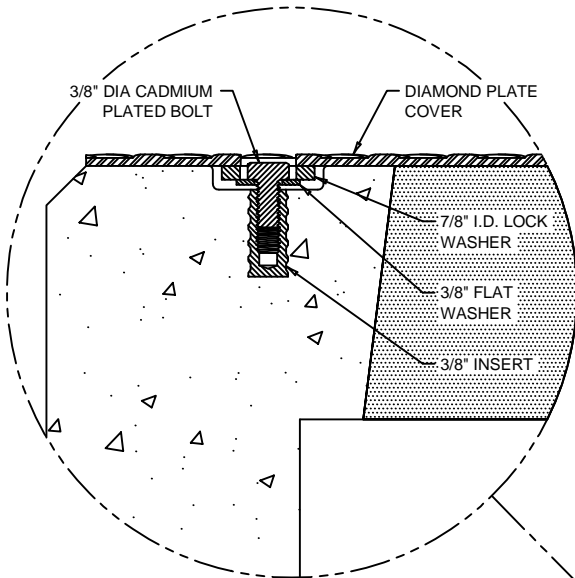
ISSUE DATE: 1/2011

[www.oldcastleprecast.com](http://www.oldcastleprecast.com)

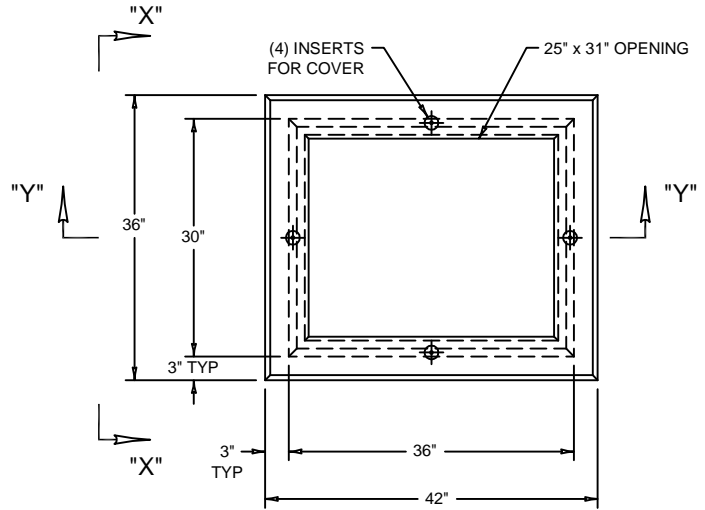
**PULL BOX**  
**30" X 36" X 28"**

**ISO View**

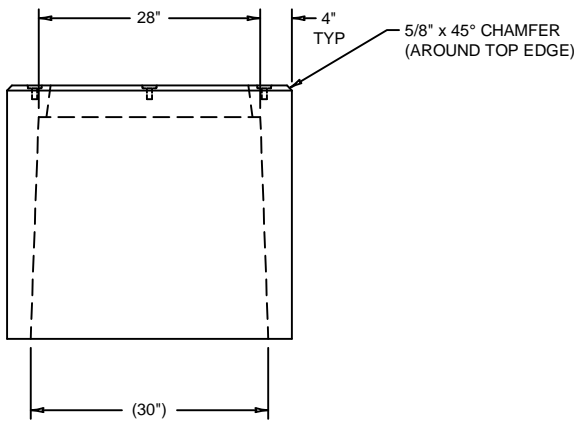
Copyright © 2011



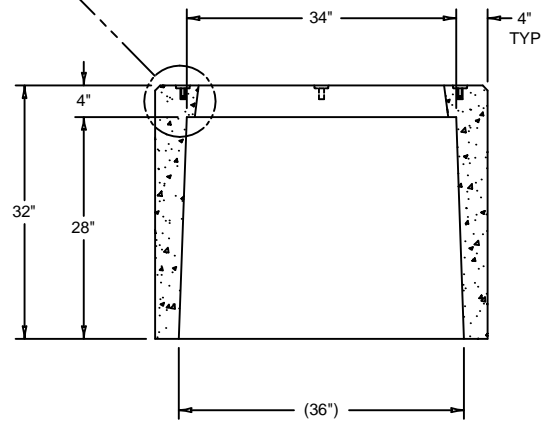
**FASTENER DETAIL**  
TYPICAL (4) PLACES



**PLAN VIEW**  
COVER NOT SHOWN  
FOR CLARITY



**VIEW "X"-"X"**



**SECTION "Y"-"Y"**



2240 S. Yellowstone Hwy, Idaho Falls, Idaho 83402  
Phone: 208-522-6150 Fax: 208-522-9701

## VAULTS

FILE NAME: 230TBPB03

ISSUE DATE: 1/2011

[www.oldcastleprecast.com](http://www.oldcastleprecast.com)

**PULL BOX**  
**30" X 36" X 28"**

Copyright © 2011