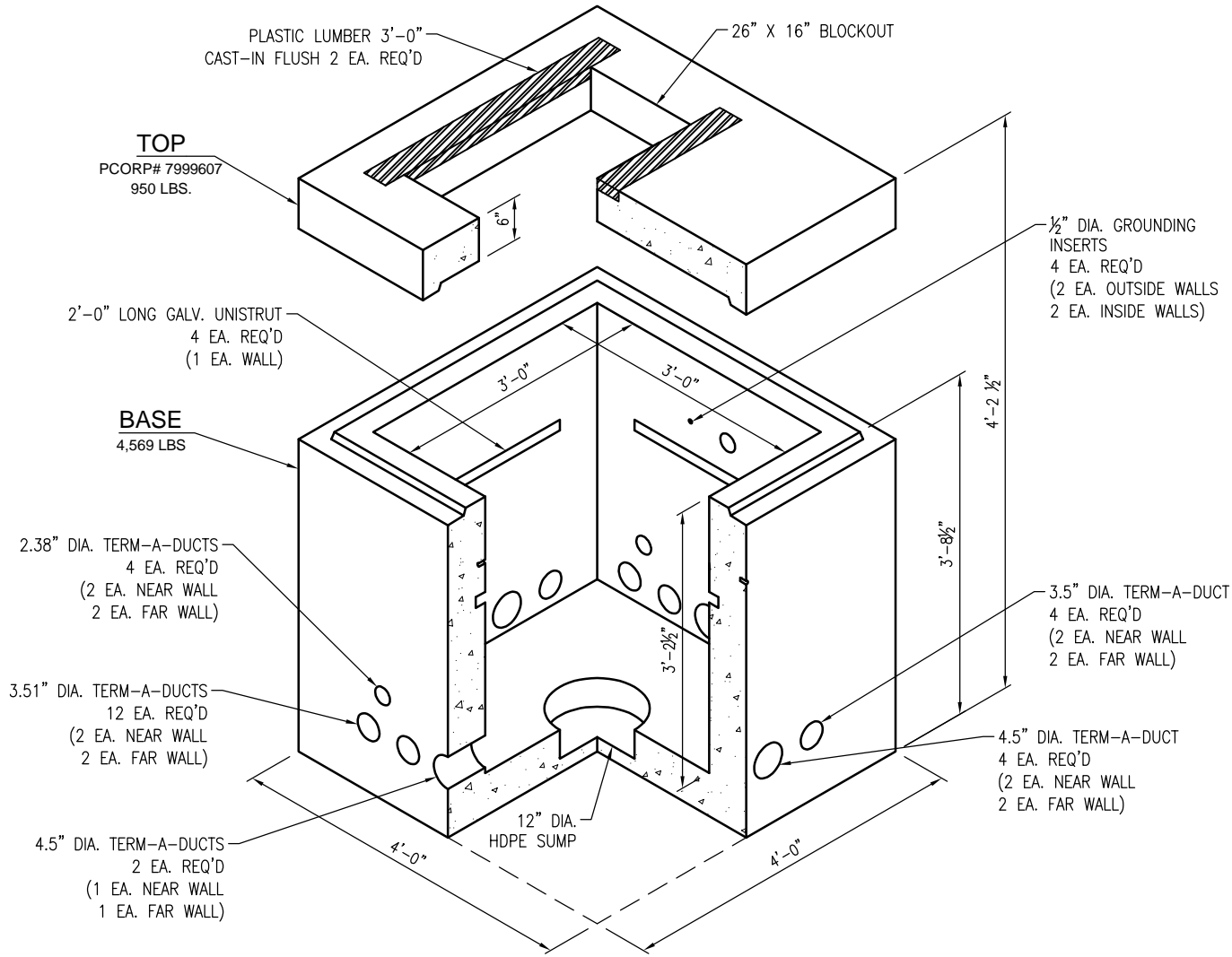
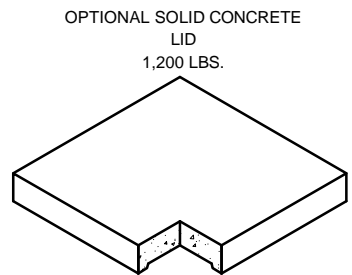
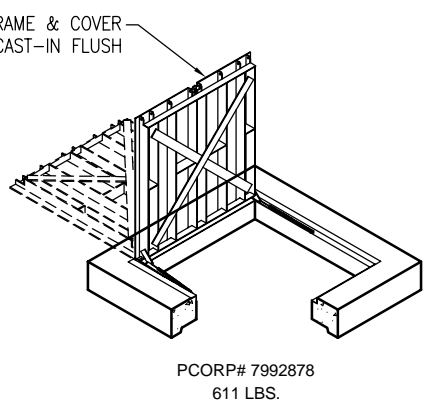
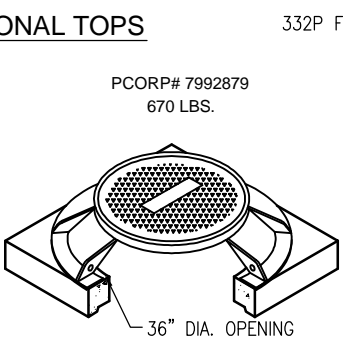


SINGLE PHASE TRANSFORMER/SECTIONALIZING PAD VAULT, STOCK ITEM 7999607  
 3'X3' MANHOLE W/ INCIDENTAL TRAFFIC ACCESS COVER, STOCK ITEM 7992878  
 3'X3' MANHOLE W/ FULL TRAFFIC ACCESS COVER, STOCK ITEM 7992879



**OPTIONAL TOPS**

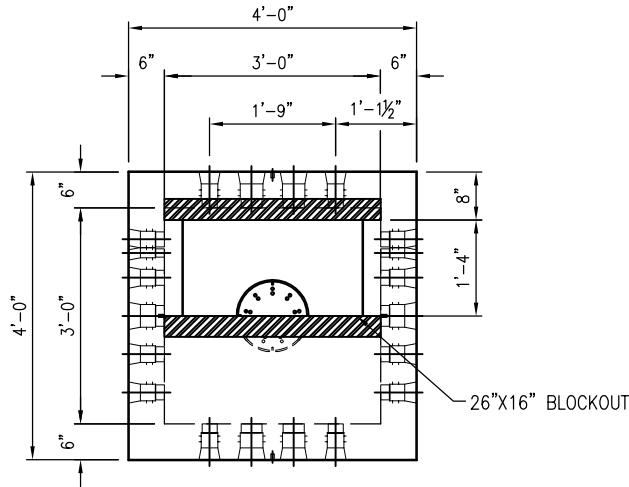


**Oldcastle Precast**  
 2240 S, Yellowstone Hwy, Idaho Falls, Idaho 83402  
 Phone: 280-522-6150 Fax: 208-522-9701

**GV 122**  
 FILE NAME: GV122CATALOG  
 ISSUE DATE: 1/2011  
[www.oldcastleprecast.com](http://www.oldcastleprecast.com)

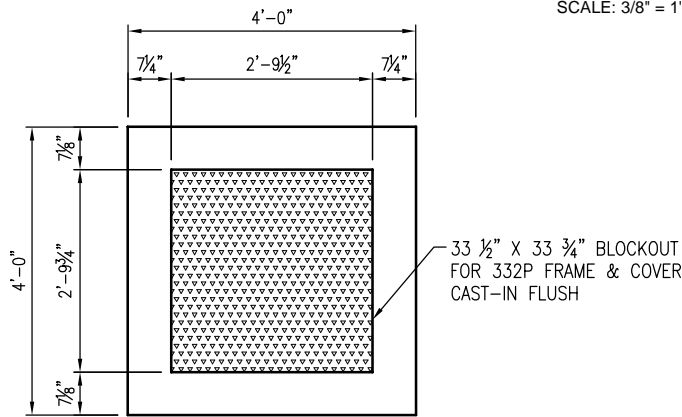
**3' x 3' Padvault**  
**Small Single Phase**  
**Pacificorp**  
 Copyright © 2011

\* LIFTING DEVICE TYPE & LOCATION MAY CHANGE WITHOUT NOTICE



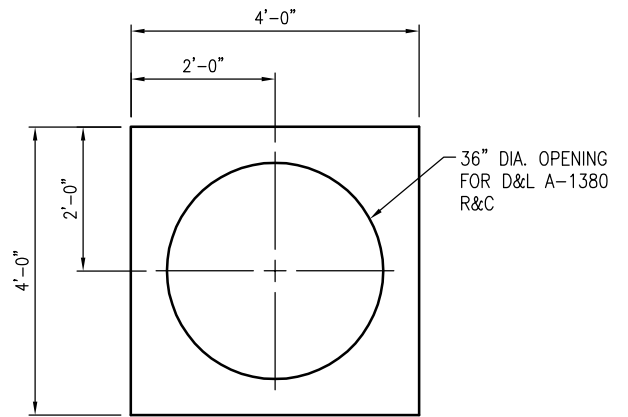
**PLAN VIEW**

SINGLE PHASE TRANSFORMER/SECTIONALIZER TOP  
PCORP #7999607  
SCALE: 3/8" = 1'-0"



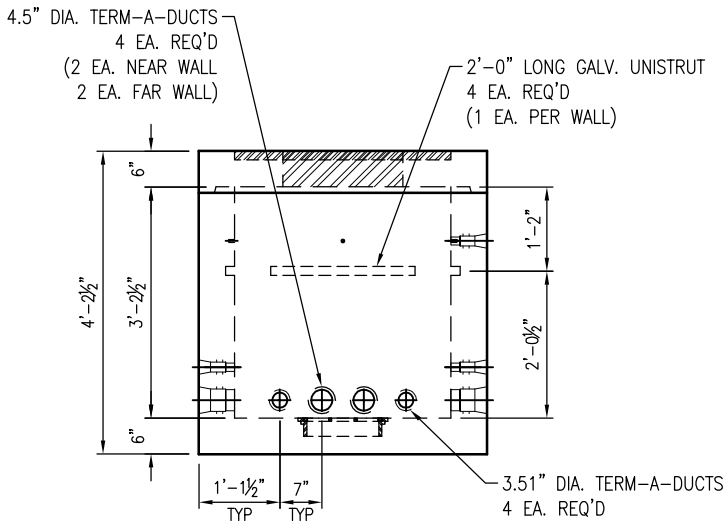
**PLAN VIEW**

INCIDENTAL TRAFFIC COVER  
PCORP #7992878  
SCALE: 3/8" = 1'-0"



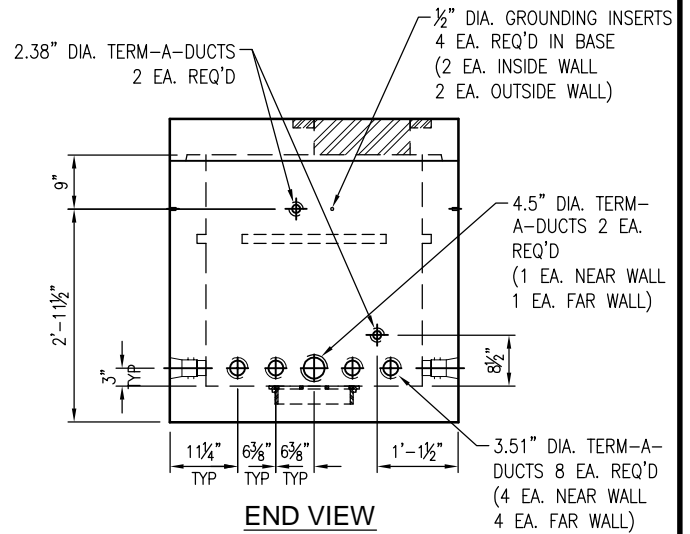
**PLAN VIEW**

FULL TRAFFIC COVER  
PCORP #7992879  
SCALE: 3/8" = 1'-0"



**ELEVATION VIEW**

SCALE: 3/8" = 1'-0"



**END VIEW**

SCALE: 3/8" = 1'-0"



2240 S, Yellowstone Hwy, Idaho Falls, Idaho 83402  
Phone: 280-522-6150 Fax: 208-522-9701

**GV 122**

FILE NAME: GV122CATALOG

ISSUE DATE: 1/2011

[www.oldcastleprecast.com](http://www.oldcastleprecast.com)

**3' x 3' Padvault  
Small Single Phase  
Pacifcorp**

Copyright © 2011