

NOTES:

1. See hardware Section for items to Use in Vaults.
2. It is Recommended that Bituminous Mastic be Used at all Joints.



2240 S. Yellowstone Hwy, Idaho Falls, Idaho 83402
Phone: 208-522-6150 Fax: 208-522-9701

Communication

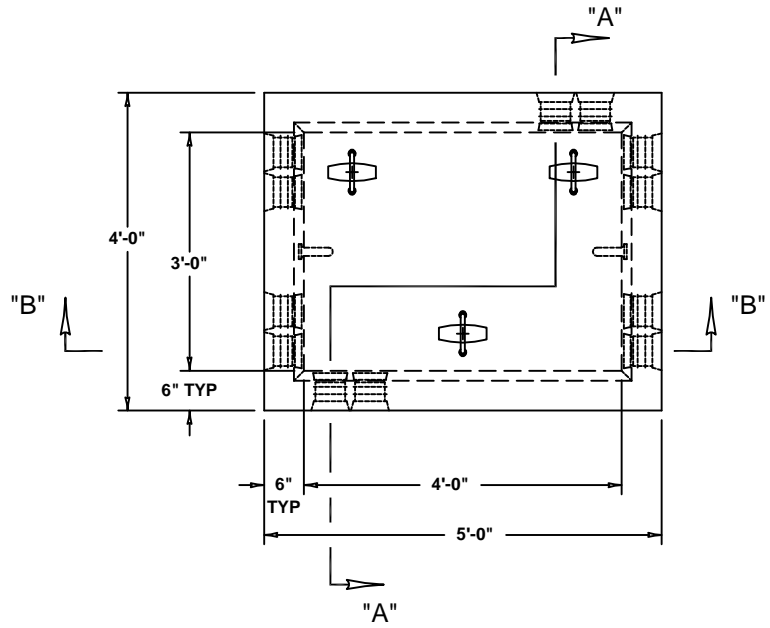
FILE NAME: 230TBCOMM01

ISSUE DATE: 1/2011

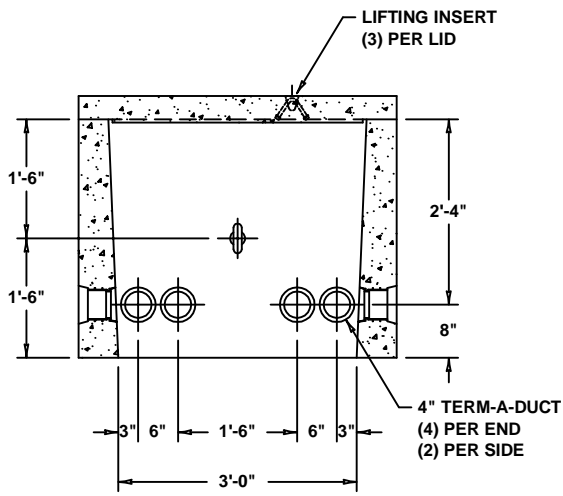
www.oldcastleprecast.com

Pull Box
3' X 4' X 3'
ISO View

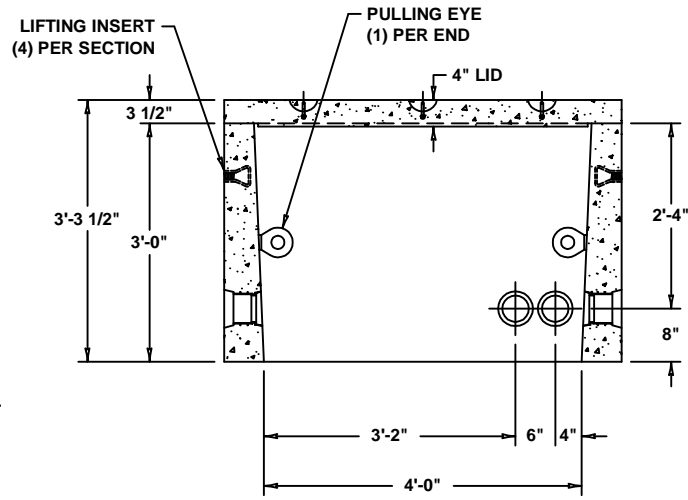
Copyright © 2011



PLAN VIEW



SECTION "A"- "A"



SECTION "B"- "B"



2240 S. Yellowstone Hwy, Idaho Falls, Idaho 83402
 Phone: 208-522-6150 Fax: 208-522-9701

Communication

FILE NAME: 230TBCOMM01

ISSUE DATE: 1/2011

www.oldcastleprecast.com

Pull Box
3' X 4' X 3'

Copyright © 2011