

NOTES:

1. VAULTS ARE DESIGNED TO MEET ASTM C857 AND ACI 318 WITH AASHTO HS-20 LOADING.
2. AVAILABLE WITH SOLID FLOOR.



2240 S. Yellowstone Hwy, Idaho Falls, Idaho 83402
Phone: 208-522-6150 Fax: 208-522-9701

Communication

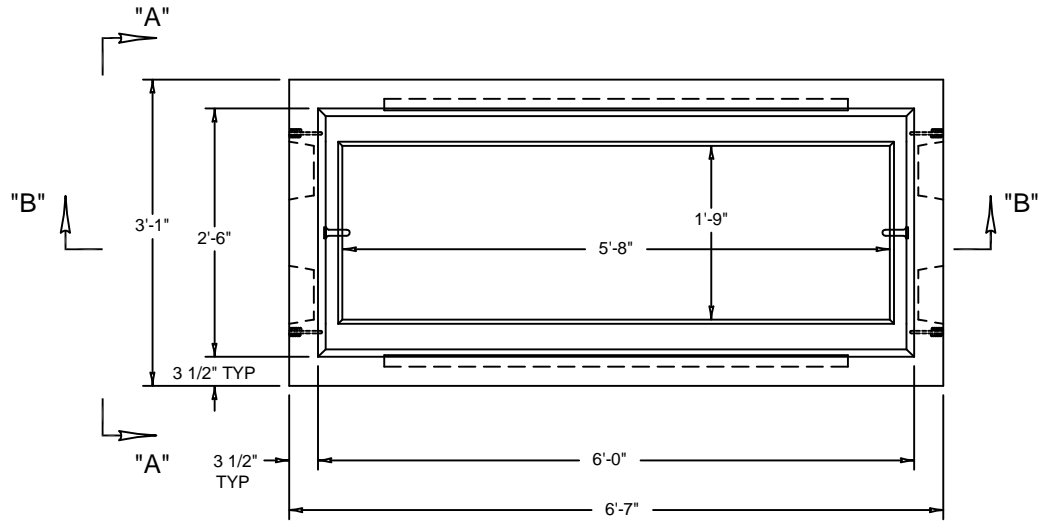
FILE NAME: 230TBCOMM00

ISSUE DATE: 1/2011

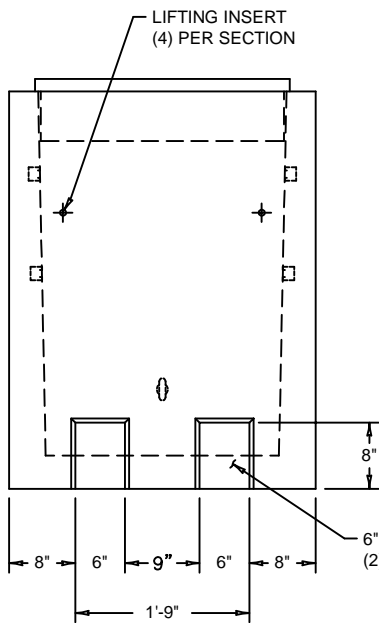
www.oldcastleprecast.com

Comm. Vault
TA-264 3'-1" X 6'-7" X 4'-0"
ISO View

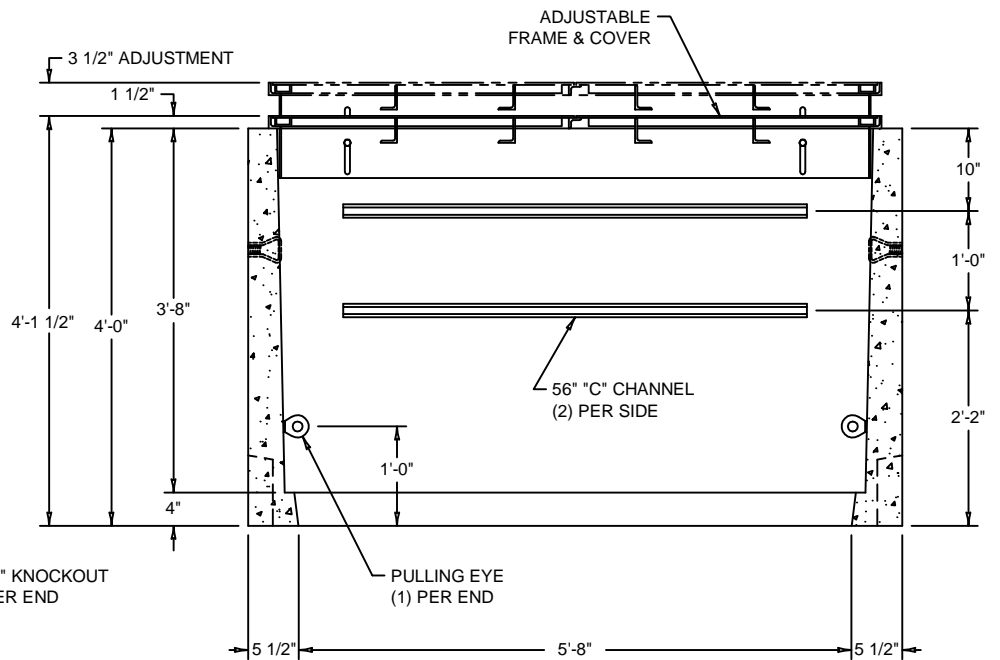
Copyright © 2011



PLAN VIEW
 FRAME & COVER NOT
 SHOWN IN THIS VIEW
 FOR CLARITY



VIEW "A"-"A"



SECTION "B"-"B"



2240 S. Yellowstone Hwy, Idaho Falls, Idaho 83402
 Phone: 208-522-6150 Fax: 208-522-9701

Communication

FILE NAME: 230TBCOMM00

ISSUE DATE: 1/2011

www.oldcastleprecast.com

Comm. Vault

TA-264 3'-1" X 6'-7" X 4'-0"

Copyright © 2011