

NOTES:

1. INLET & OUTLET ARE IDENTIFIED.
2. TANK IS MARKED 1,000 GALLON.
3. 6" DIA. INLET & OUTLET KNOCKOUTS TO ACCEPT 4" PVC PIPE.
4. IT IS RECOMMENDED THAT BITUMINOUS MASTIC BE USED AT JOINT.
5. OPENINGS MAY BE SIZED & LOCATED AS SPECIFIED WITHIN STRUCTURAL LIMITATIONS.
6. DESIGNED FOR 3'-0" MAX. BURY.



2240 S. Yellowstone Hwy, Idaho Falls, Idaho 83402
 Phone: 208-522-6150 Fax: 208-522-9701

Septic Tank

FILE NAME: 230TBST01

ISSUE DATE: 1/2011

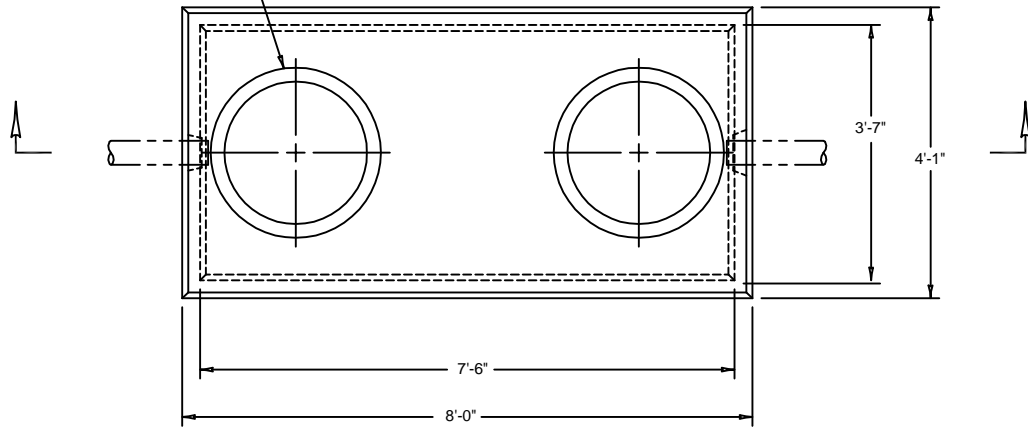
www.oldcastleprecast.com

**1000 Gal Standard
 (Non Traffic Rated)**

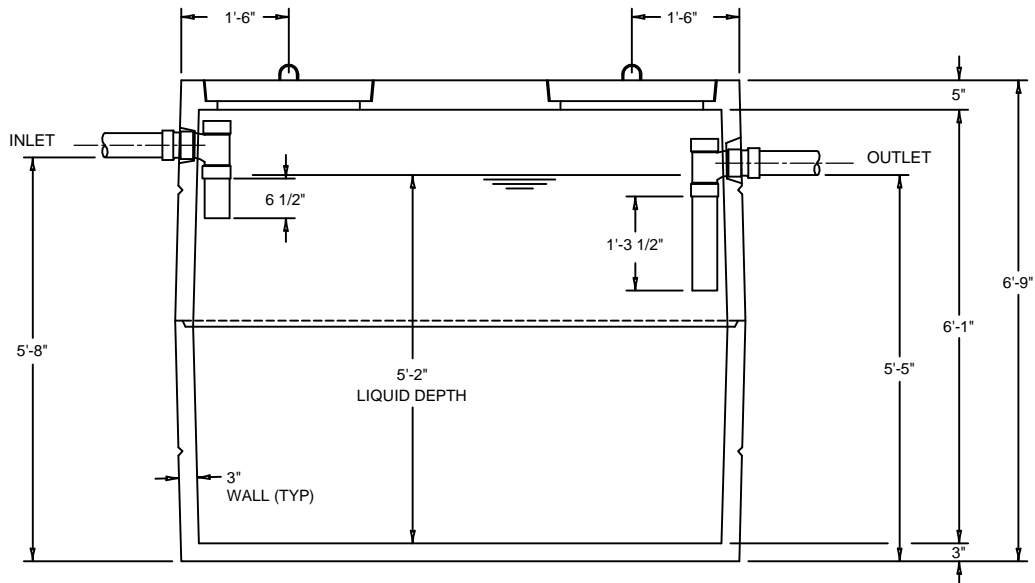
ISO View

Copyright © 2011

ACCESS HOLES
TO ACCEPT 24" DIA
BELL & SPIGOT PIPE



PLAN VIEW



SECTION VIEW



2240 S. Yellowstone Hwy, Idaho Falls, Idaho 83402
Phone: 208-522-6150 Fax: 208-522-9701

Septic Tank

FILE NAME: 230TBST01

ISSUE DATE: 1/2011

www.oldcastleprecast.com

1000 Gal Standard
(Non Traffic Rated)

Copyright © 2011