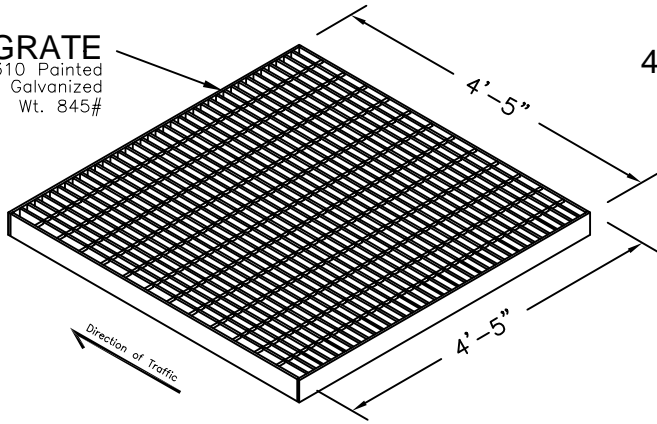
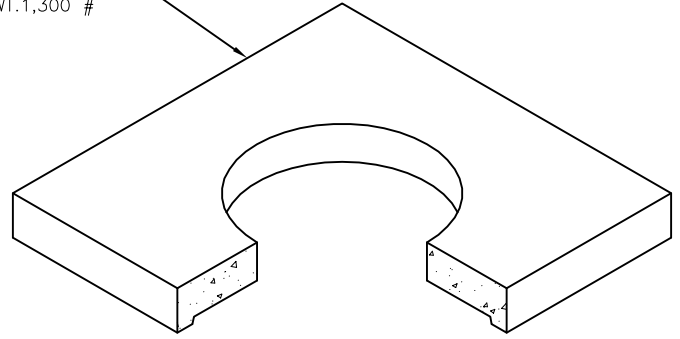


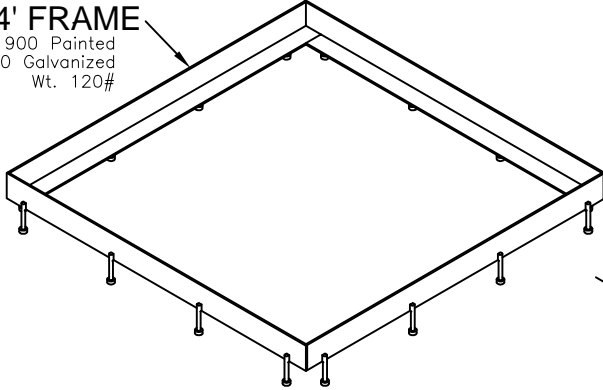
**4'x4' GRATE**  
 7203310 Painted  
 7203320 Galvanized  
 Wt. 845#



**4' X 4' LID**  
 WT.1,300 #

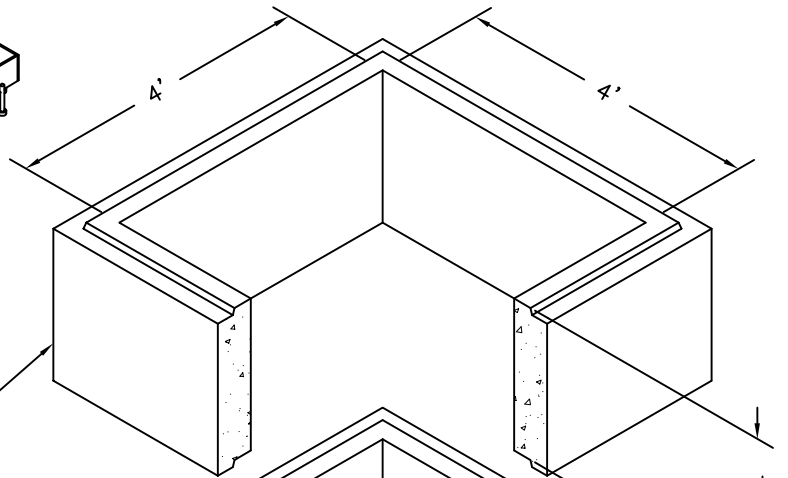


**4'x4' FRAME**  
 7201900 Painted  
 4101750 Galvanized  
 Wt. 120#

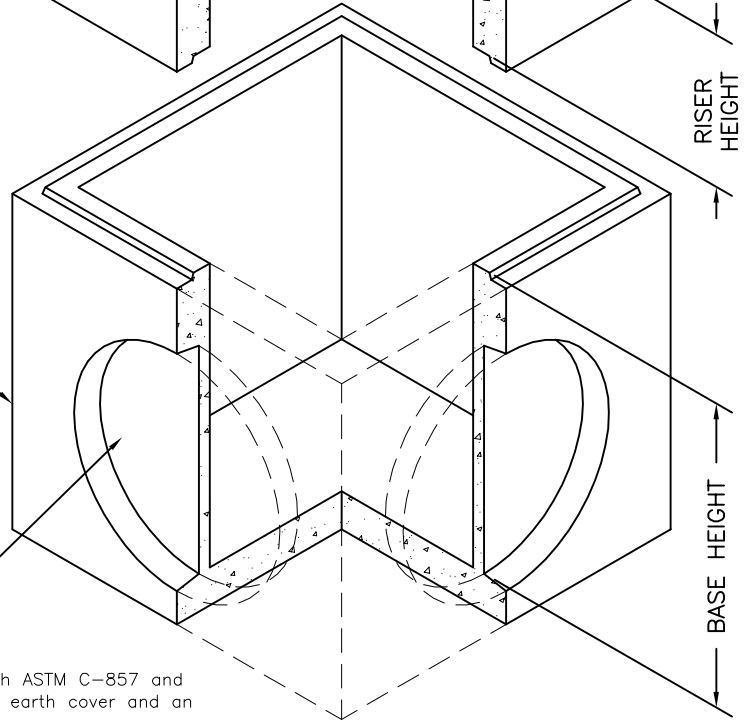


NOTES:  
 -FRAME & GRATE CAN BE CAST INTO RISER OR  
 BASE SECTION OF VAULT.

**4' X 4' RISER**



**4' X 4' BASE**



HEIGHT	WEIGHTS	
	BASE	RISER
6"		676 #
1'		1,350 #
2'		2,700 #
3'	5,995 #	4,050 #
4'	7,275 #	5,400 #
5'	8,650 #	6,750 #
6'	9,975 #	7,800 #

NOTES:  
 1. Vault design complies with ASTM C-857 and C-858 with less than 2' of earth cover and an AASHTO HS-20 loading.  
 2. Lifting insert type and location may change without notice.



2240 S Yellowstone Hwy, Idaho Falls, Idaho 83402  
 Phone: 208-522-6150 Fax: 208-522-9701

## Catch Basins

FILE NAME: 230TBCB05

ISSUE DATE: 2/2011

[www.oldcastleprecast.com](http://www.oldcastleprecast.com)

## 4' x 4' Catch Basin Bases and Risers ISO View

Copyright © 2011