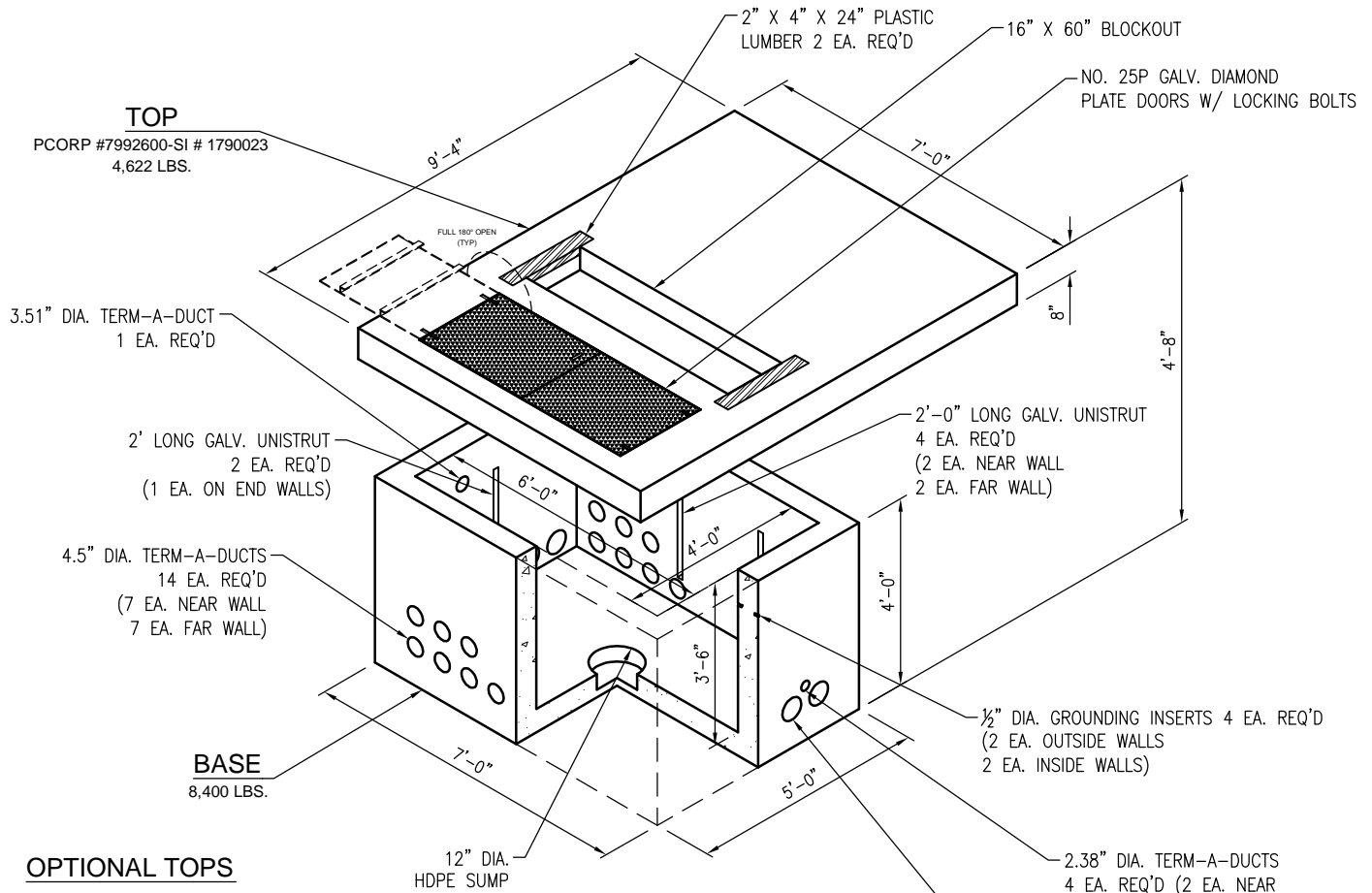
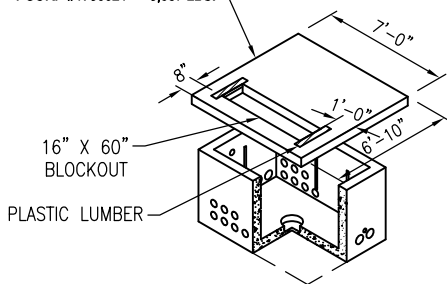


2.4 - 25kV, 3-PHASE TRANSFORMER PADVAULT WITH ACCESS, STOCK ITEM 7992600- STOCK ITEM 1790023
 2.4 - 25kV, 3-PHASE TRANSFORMER PADVAULT WITHOUT ACCESS, STOCK ITEM 7992601- STOCK ITEM 1790024
 2.4 - 25kV, 3-PHASE TRANSFORMER PAD, STOCK ITEM 1790021
 35kV, 3-PHASE TRANSFORMER PADVAULT WITH ACCESS, STOCK ITEM 7992602-STOCK ITEM 1008977
 35kV, 3-PHASE TRANSFORMER PADVAULT WITHOUT ACCESS, STOCK ITEM 7992603- STOCK ITEM 1008975
 35kV, 3-PHASE TRANSFORMER PAD, STOCK ITEM 1008958

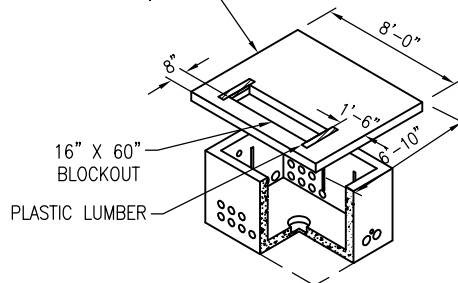


OPTIONAL TOPS

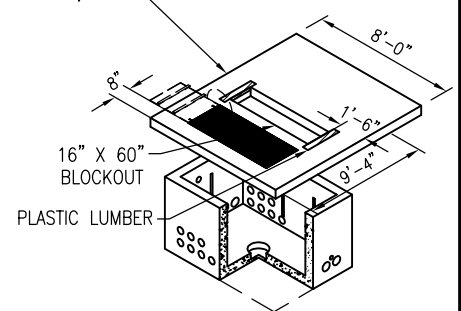
2.4 - 25kV, 3-PHASE TRANSFORMER PADVAULT WITHOUT ACCESS
 PCORP #7992601 - SI #1790024
 2.4 - 25kV, 3-PHASE TRANSFORMER PAD ONLY (NO BASE)
 PCORP #1790021 3,087 LBS.



35kV, 3-PHASE TRANSFORMER PADVAULT WITHOUT ACCESS
 PCORP #7992603 - SI #1008975
 35kV, 3-PHASE TRANSFORMER PAD ONLY (NO BASE)
 PCORP #1008958
 3,600 LBS.



35kV, 3-PHASE TRANSFORMER PADVAULT WITH ACCESS
 PCORP #7992602 - SI #1008977
 5,800 LBS.



2240 S. Yellowstone Hwy, Idaho Falls, Idaho 83402
 Phone: 208-522-6150 Fax: 208-522-9701

GV 151

FILE NAME: GV151CATALOG

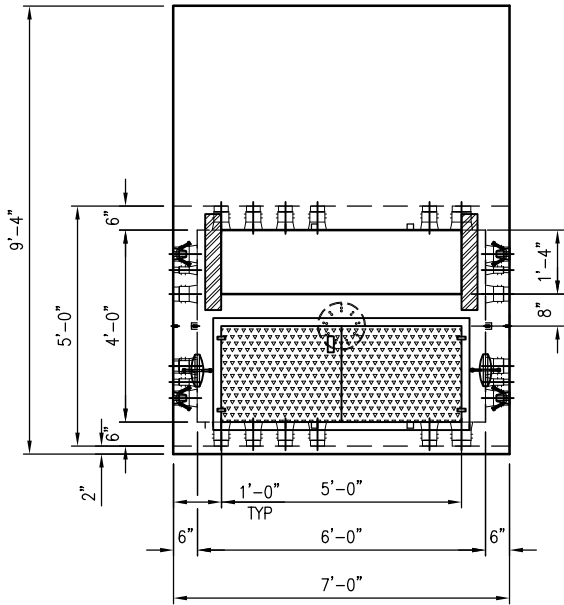
ISSUE DATE: 1/2011

www.oldcastleprecast.com

**4' x 6' Padvault
 3 Phase Fuse Cabinet
 Pacificorp**

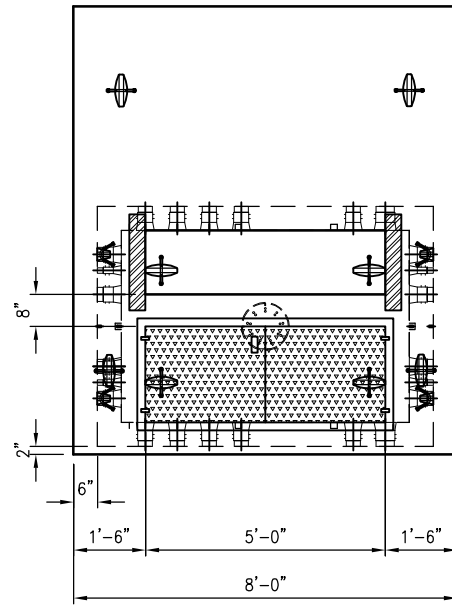
Copyright © 2011

* LIFTING DEVICE TYPE & LOCATION MAY CHANGE WITHOUT NOTICE



PLAN VIEW

2.4-25 kV, 3-PHASE TRANSFORMER PADVAULT WITH ACCESS
PCORP #7992600-SI # 1790023

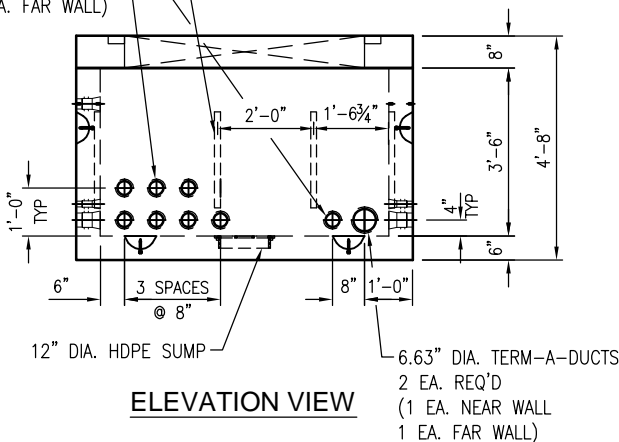


PLAN VIEW

35 kV, 3-PHASE TRANSFORMER PADVAULT WITH ACCESS
PCORP #7992602-SI #1008977

2'-0" LONG GALV. UNISTRUT
4 EA. REQ'D
(2 EA. NEAR WALL
2 EA. FAR WALL)

4.5" DIA. TERM-A-DUCTS
14 EA. REQ'D
(7 EA. NEAR WALL
7 EA. FAR WALL)

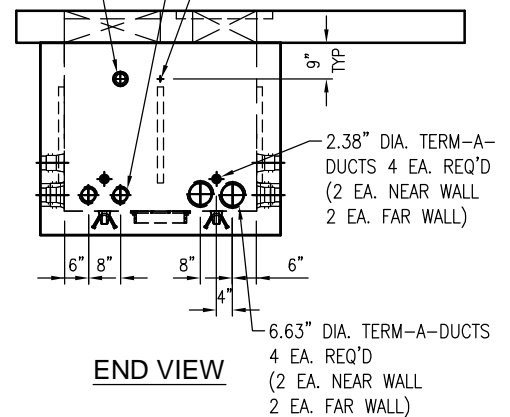


ELEVATION VIEW

4.5" DIA. TERM-A-DUCTS
4 EA. REQ'D
(2 EA. NEAR WALL
2 EA. FAR WALL)

3.51" DIA. TERM-A-DUCTS
1 EA. REQ'D
1 EA. FAR WALL

1/2" DIA. GROUNDING INSERTS
4 EA. REQ'D
(2 EA. INSIDE WALLS
2 EA. OUTSIDE WALLS)



END VIEW



2240 S. Yellowstone Hwy, Idaho Falls, Idaho 83402
Phone: 208-522-6150 Fax: 208-522-9701

GV 151

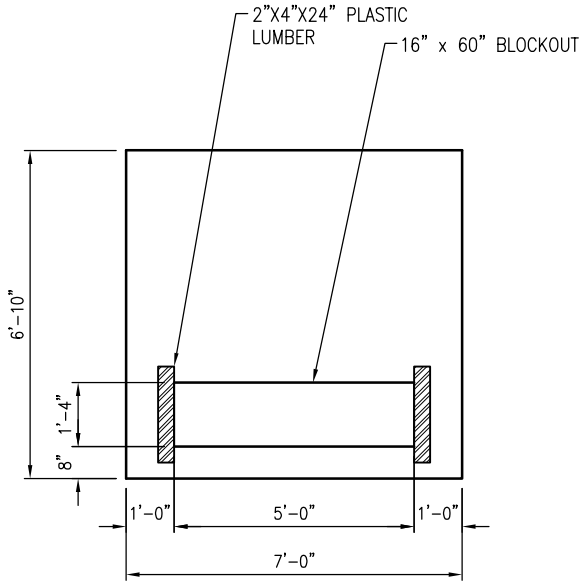
FILE NAME: GV151CATALOG

ISSUE DATE: 1/2011

www.oldcastleprecast.com

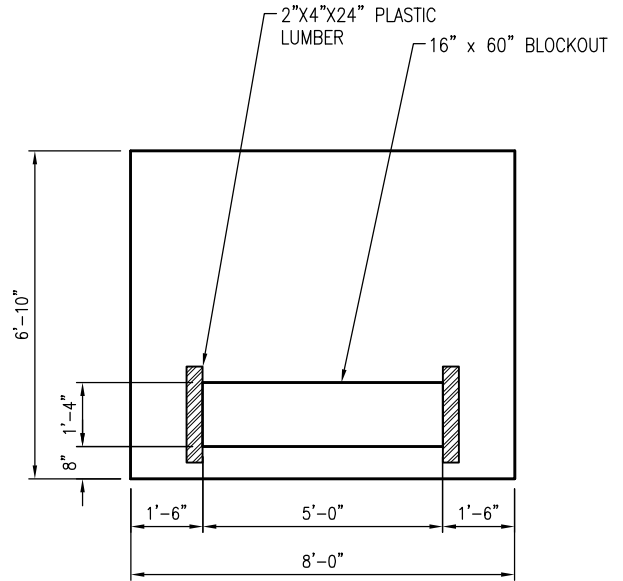
**4' x 6' Padvault
3 Phase Fuse Cabinet
Pacifcorp**

Copyright © 2011



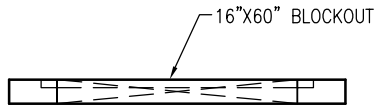
PLAN VIEW

2.4-25 kV, 3-PHASE TRANSFORMER PAD ONLY (NO BASE)
PCORP #1790021

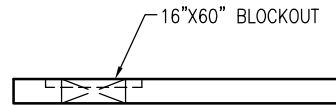


PLAN VIEW

35 kV, 3-PHASE TRANSFORMER PAD ONLY (NO BASE)
PCORP #1008958



ELEVATION VIEW



END VIEW

* LIFTING DEVICE TYPE & LOCATION MAY
CHANGE
WITHOUT NOTICE



2240 S. Yellowstone Hwy, Idaho Falls, Idaho 83402
Phone: 208-522-6150 Fax: 208-522-9701

GV 151

FILE NAME: GV151CATALOG

ISSUE DATE: 1/2011

www.oldcastleprecast.com

4' x 6' Padvault
3 Phase Fuse Cabinet
Pacificorp

Copyright © 2011