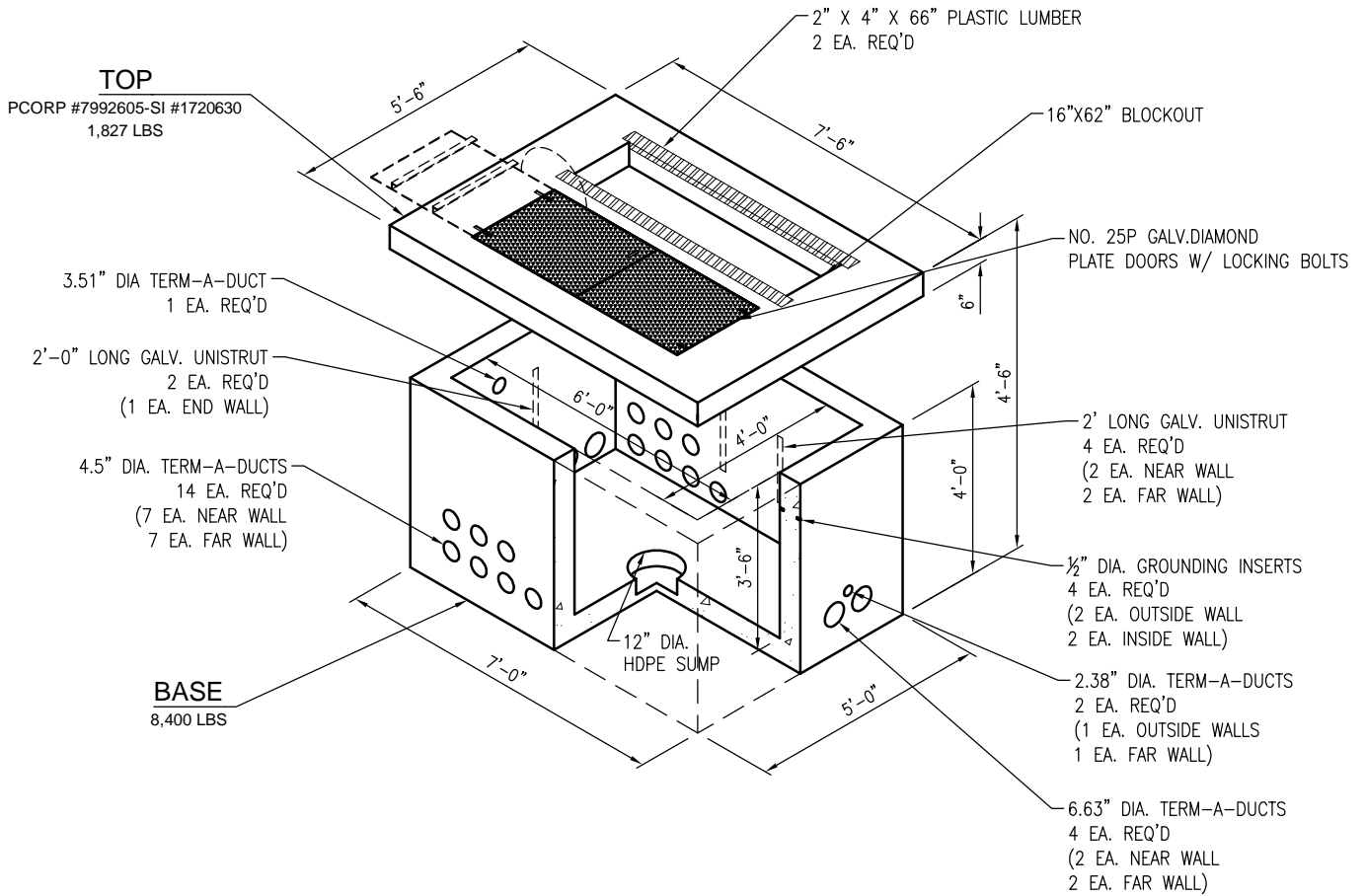
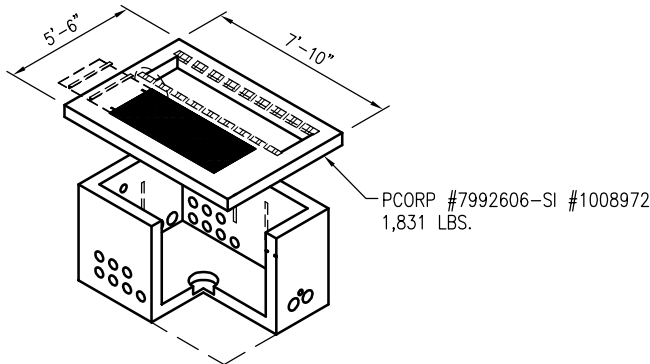


15kV, 3-PHASE TRANSFORMER SECTIONALIZING CABINET PADVAULT, STOCK ITEM 7992605 -STOCK ITEM 1720630  
 25kV, 3-PHASE TRANSFORMER SECTIONALIZING CABINET PADVAULT, STOCK ITEM 7992606 -STOCK ITEM 1008972  
 35kV, 3-PHASE TRANSFORMER SECTIONALIZING CABINET PADVAULT, STOCK ITEM 7992607 -STOCK ITEM 1008972

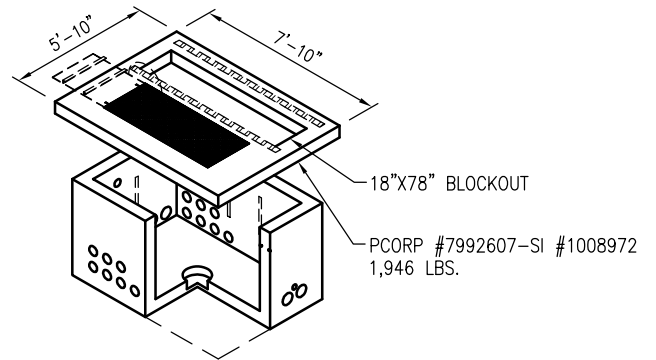


**OPTIONAL TOPS**

**25kV, 3-PHASE TRANSFORMER SECTIONALIZING CABINET PADVAULT**



**35kV, 3-PHASE TRANSFORMER SECTIONALIZING CABINET PADVAULT**



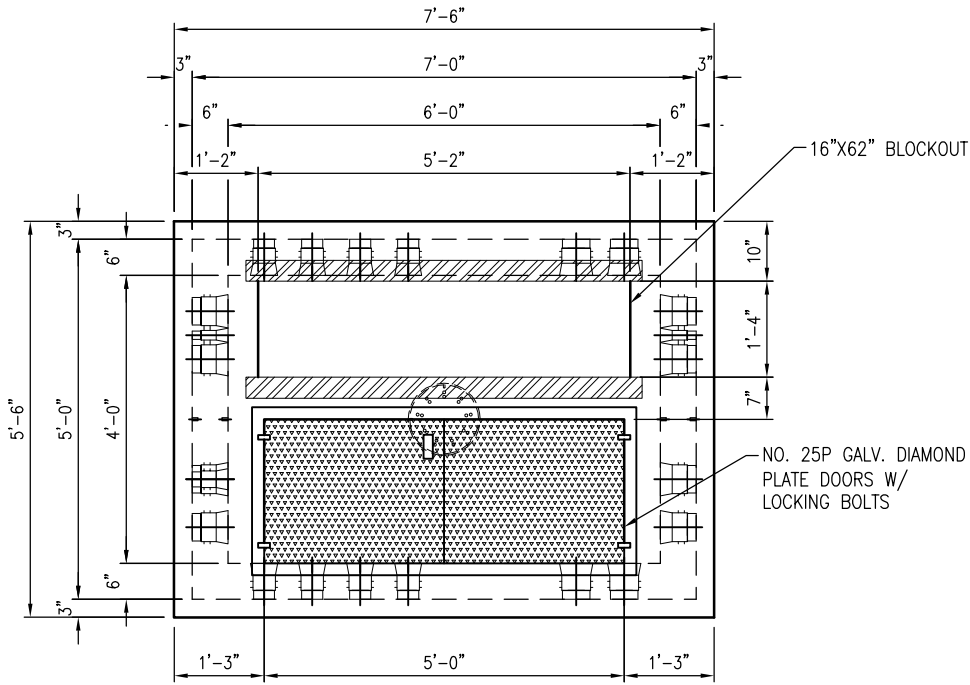
2240 S. Yellowstone Hwy, Idaho Falls, Idaho 83402  
 Phone: 208-522-6150 Fax: 20-522-9701

**GV 221**

FILE NAME: GV221CATALOG  
 ISSUE DATE: 1/2011  
[www.oldcastleprecast.com](http://www.oldcastleprecast.com)

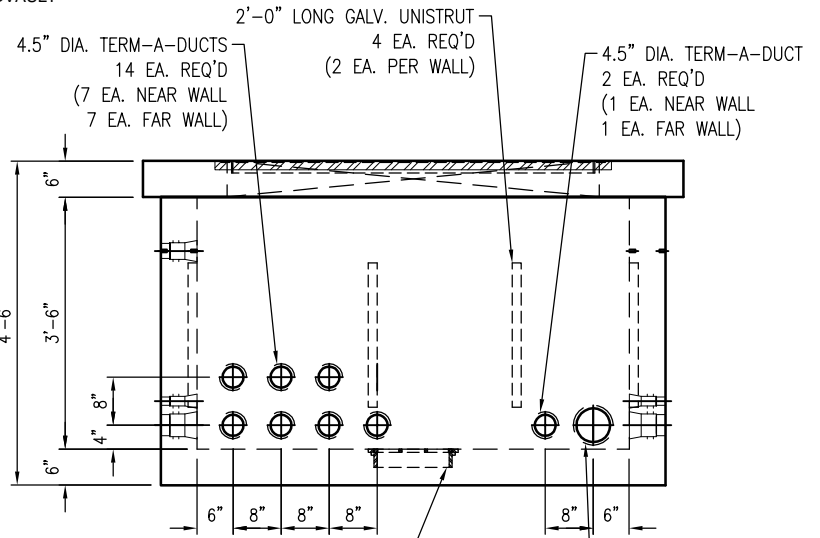
**4' x 6' Padvault  
 3 Phase Fuse Cabinet  
 Pacificorp**

Copyright © 2011

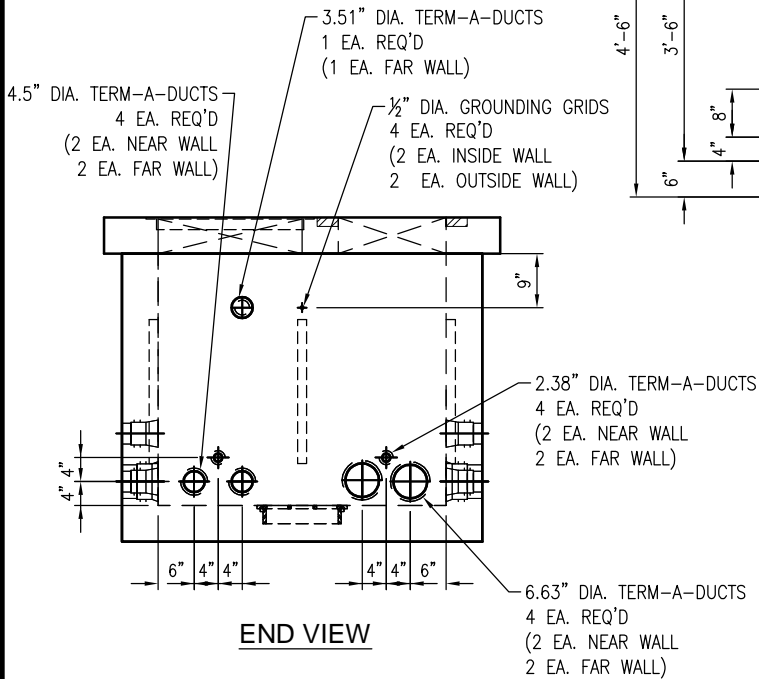


**ELEVATION VIEW**

15 kV, 3-PHASE SECTIONALIZING CABINET PADVAULT  
PCORP #7992605-SI #1720630



**ELEVATION VIEW**



**END VIEW**

\* LIFTING DEVICE TYPE & LOCATION MAY  
CHANGE  
WITHOUT NOTICE



2240 S. Yellowstone Hwy, Idaho Falls, Idaho 83402  
Phone: 208-522-6150 Fax: 20-522-9701

**GV 221**

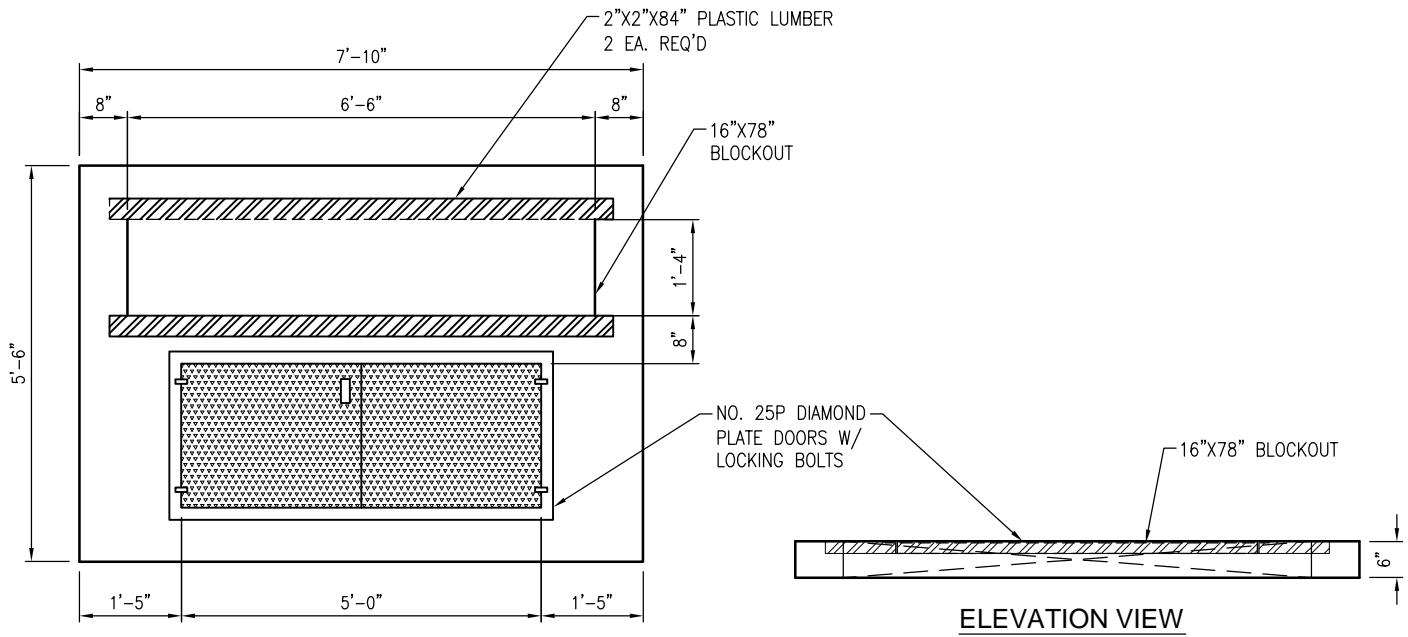
FILE NAME: GV221CATALOG

ISSUE DATE: 1/2011

[www.oldcastleprecast.com](http://www.oldcastleprecast.com)

**4' x 6' Padvault  
3 Phase Fuse Cabinet  
Pacificorp**

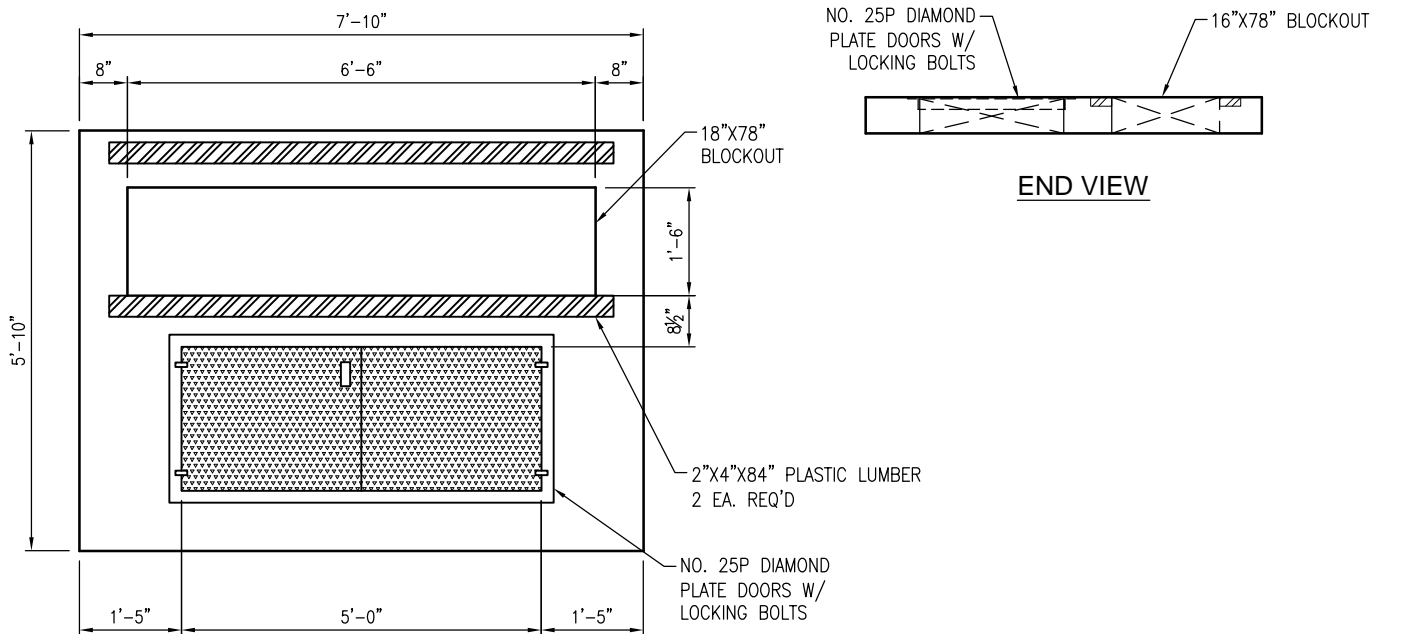
Copyright © 2011



**PLAN VIEW**

25 kV, 3-PHASE SECTIONALIZING CABINET PAD  
SI #7992606

**ELEVATION VIEW**



**PLAN VIEW**

35 kV, 3-PHASE SECTIONALIZING CABINET PAD  
SI #7992607

**END VIEW**

\* LIFTING DEVICE TYPE & LOCATION MAY CHANGE WITHOUT NOTICE

**Oldcastle Precast**<sup>®</sup>  
2240 S. Yellowstone Hwy, Idaho Falls, Idaho 83402  
Phone: 208-522-6150 Fax: 20-522-9701

**GV 221**  
FILE NAME: GV221CATALOG  
ISSUE DATE: 1/2011  
[www.oldcastleprecast.com](http://www.oldcastleprecast.com)

**4' x 6' Padvault**  
**3 Phase Fuse Cabinet**  
**Pacificorp**  
Copyright © 2011