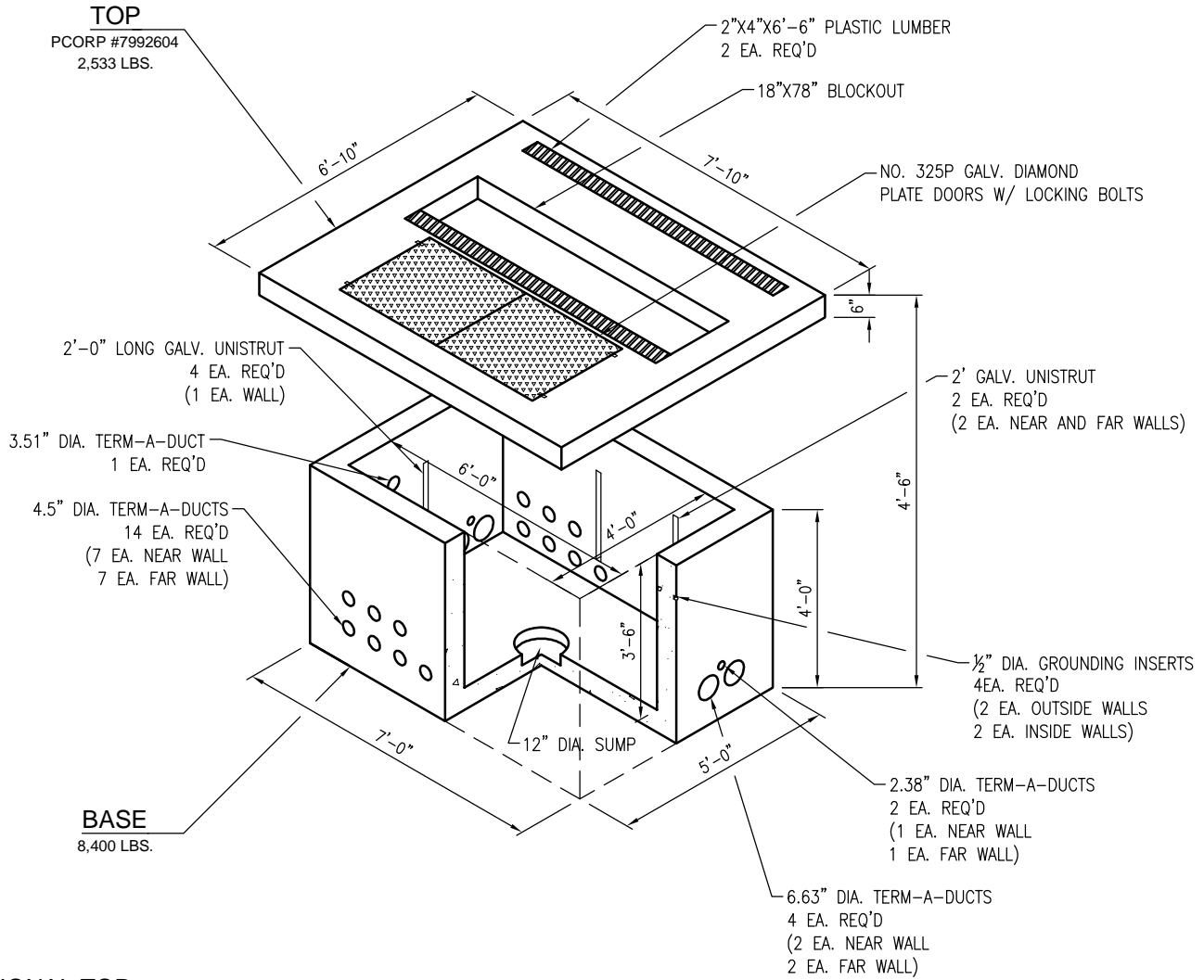
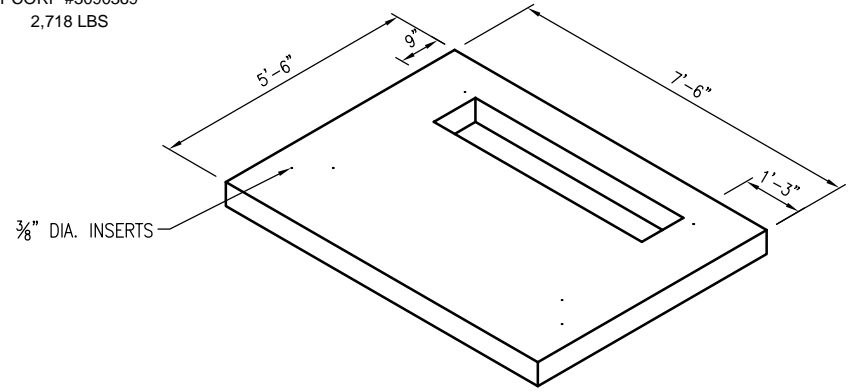


3-PHASE FUSE CABINET PADVAULT, 3-4 POSITION, STOCK ITEM 7992604  
 3-PHASE PRIMARY METERING CABINET PADVAULT, STOCK ITEM 3090369



**OPTIONAL TOP**  
 PRIMARY METERING CABINET  
 PCORP #3090369  
 2,718 LBS



**Oldcastle Precast**<sup>®</sup>  
 2240 S. Yellowstone Hwy, Idaho Falls, Idaho 83402  
 Phone: 208-522-6150 Fax: 208-522-9701

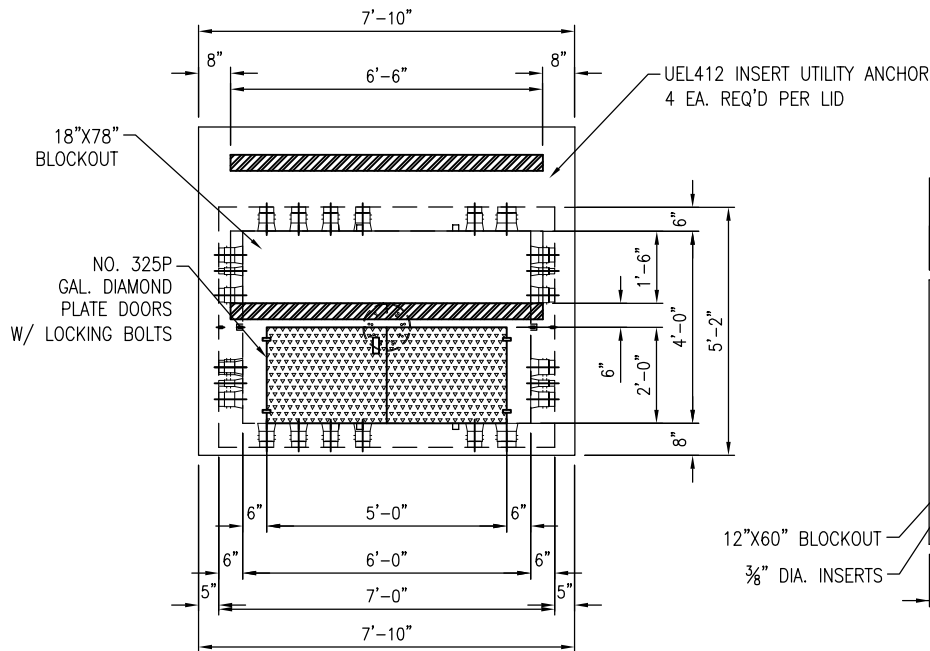
**GV 341**

FILE NAME: GV341CATALOG

ISSUE DATE: 1/2011

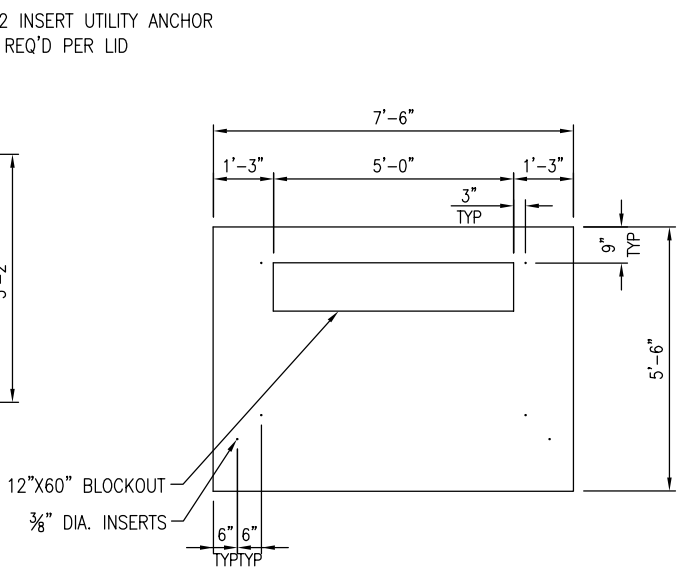
[www.oldcastleprecast.com](http://www.oldcastleprecast.com)

**4' x 6' Padvault**  
**3 Phase Fuse Cabinet**  
**Pacificorp**  
 Copyright © 2011



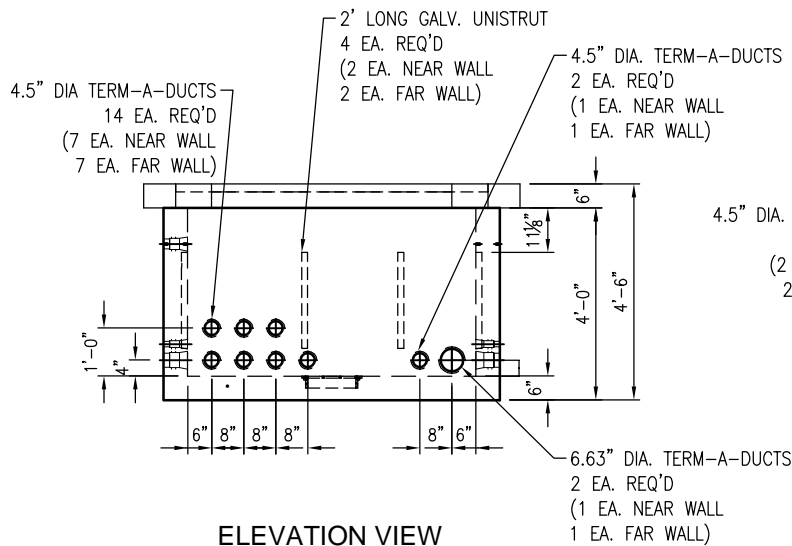
**PLAN VIEW**

3-PHASE FUSE CABINET PAD VAULT, 3-4 POSITION  
 PCORP #7992604  
 SCALE: 1/4" = 1'-0"



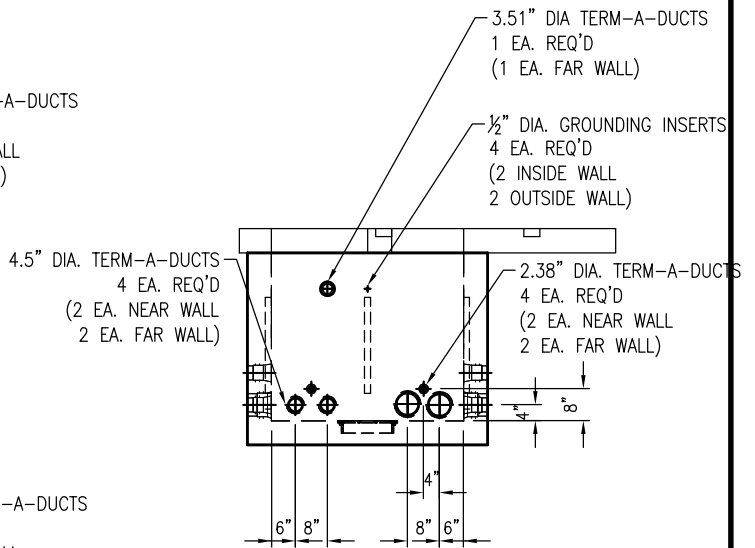
**PLAN VIEW**

3-PHASE PRIMARY METERING CABINET PAD.  
 PCORP #3090369  
 SCALE: 1/4" = 1'-0"



**ELEVATION VIEW**

SCALE: 1/4" = 1'-0"



**END VIEW**

SCALE: 1/4" = 1'-0"

\* LIFTING DEVICE TYPE & LOCATION MAY CHANGE WITHOUT NOTICE



2240 S. Yellowstone Hwy, Idaho Falls, Idaho 83402  
 Phone: 208-522-6150 Fax: 208-522-9701

**GV 341**

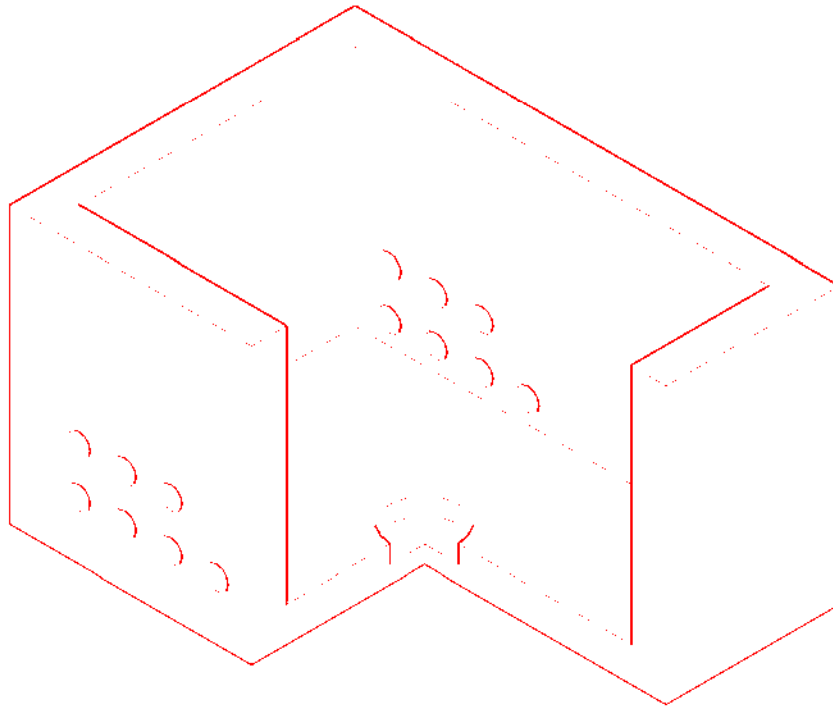
FILE NAME: 210UEEGV3410PC

ISSUE DATE: 1/2011

[www.oldcastleprecast.com](http://www.oldcastleprecast.com)

**4' x 6' Padvault**  
**3 Phase Fuse Cabinet**  
**Pacificorp**

Copyright © 2011



2240 S. Yellowstone Hwy, Idaho Falls, Idaho 83402  
Phone: 208-522-6150 Fax: 208-522-9701

## GV 341

FILE NAME: 210UEEGV3410PC

ISSUE DATE: 1/2011

[www.oldcastleprecast.com](http://www.oldcastleprecast.com)

**4' x 6' Pad vault  
3 Phase Fuse Cabinet  
Pacifcorp**

Copyright © 2011