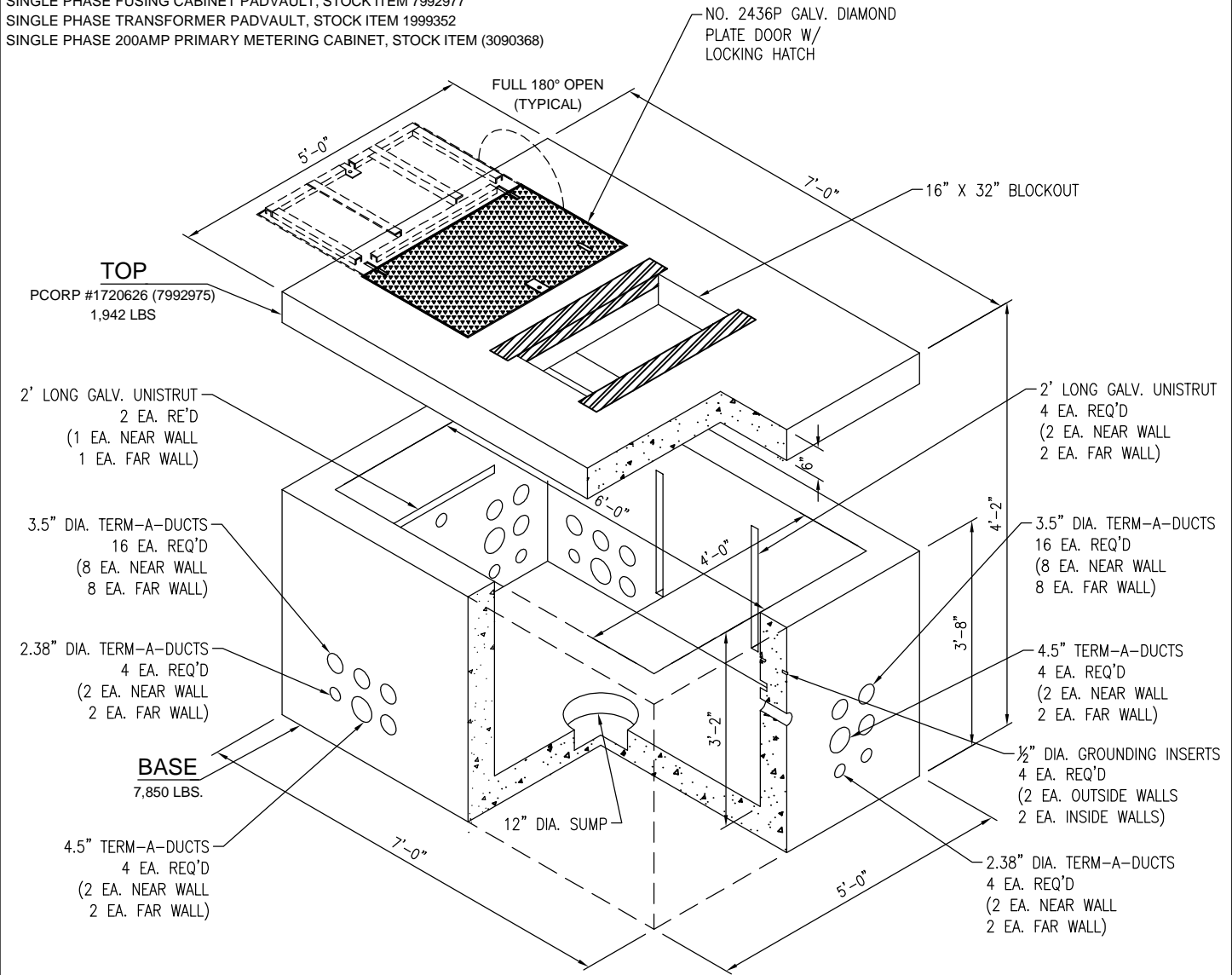
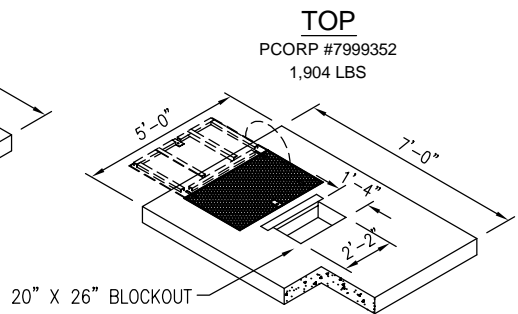
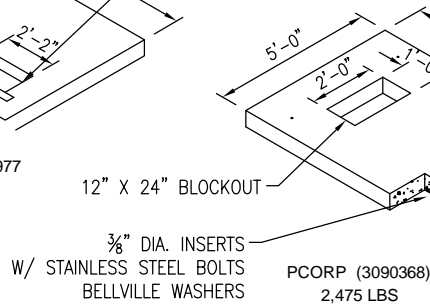
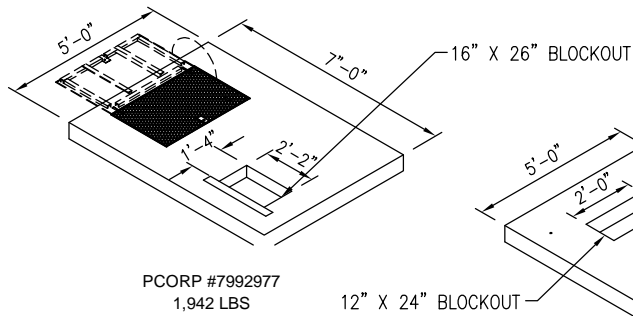


SINGLE PHASE SECTIONALIZING CABINET PADVAULT, STOCK ITEM 1720626 (7992975)
 SINGLE PHASE FUSING CABINET PADVAULT, STOCK ITEM 7992977
 SINGLE PHASE TRANSFORMER PADVAULT, STOCK ITEM 1999352
 SINGLE PHASE 200AMP PRIMARY METERING CABINET, STOCK ITEM (3090368)



OPTIONAL TOPS



2240 S. Yellowstone Hwy, Idaho Falls, Idaho 83402
 Phone: 208-522-6150 Fax: 208-522-9701

GV 231

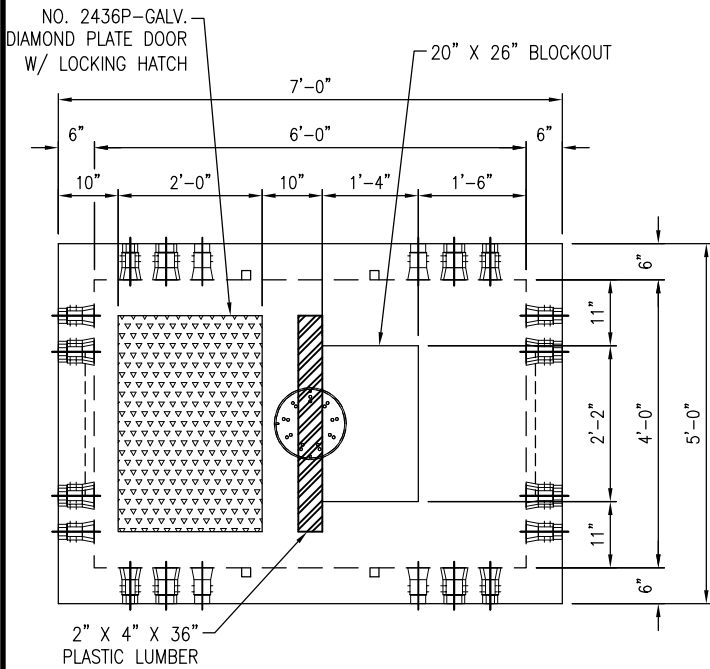
FILE NAME: GV231CATALOG

ISSUE DATE: 1/2011

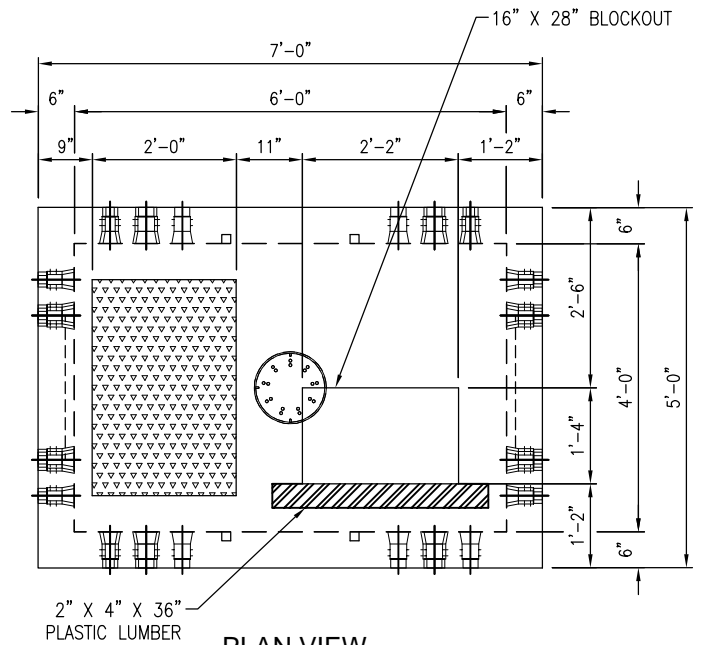
www.oldcastleprecast.com

**4' x 6' Padvault
 Large Single Phase
 Pacificorp**

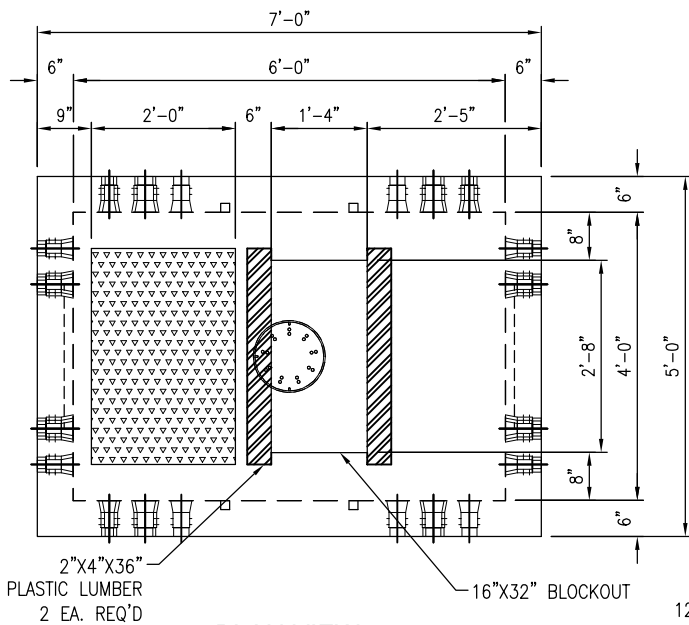
Copyright © 2011



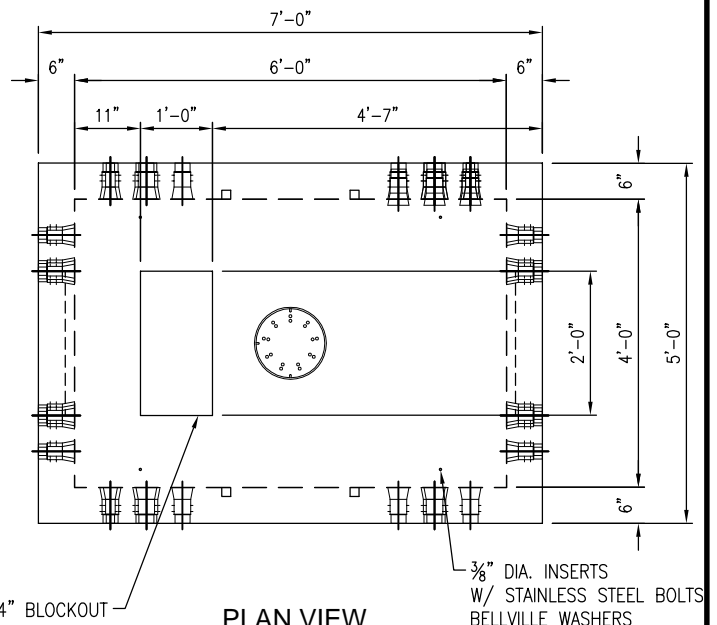
PLAN VIEW
SINGLE PHASE TRANSFORMER
PCORP #1006379 (7992977)



PLAN VIEW
SINGLE PHASE FUSING CABINET
PCORP #1720645 (7992976)



PLAN VIEW
SINGLE PHASE SECTIONALIZING CABINET
PCORP #1720626 (7992975)



PLAN VIEW
SINGLE PHASE 200 AMP PRIMARY METERING CABINET
PCORP (3090368)

*LIFTING DEVICE TYPE & LOCATION
MAY CHANGE WITHOUT NOTICE



2240 S. Yellowstone Hwy, Idaho Falls, Idaho 83402
Phone: 208-522-6150 Fax: 208-522-9701

GV 231

FILE NAME: GV231CATALOG

ISSUE DATE: 1/2011

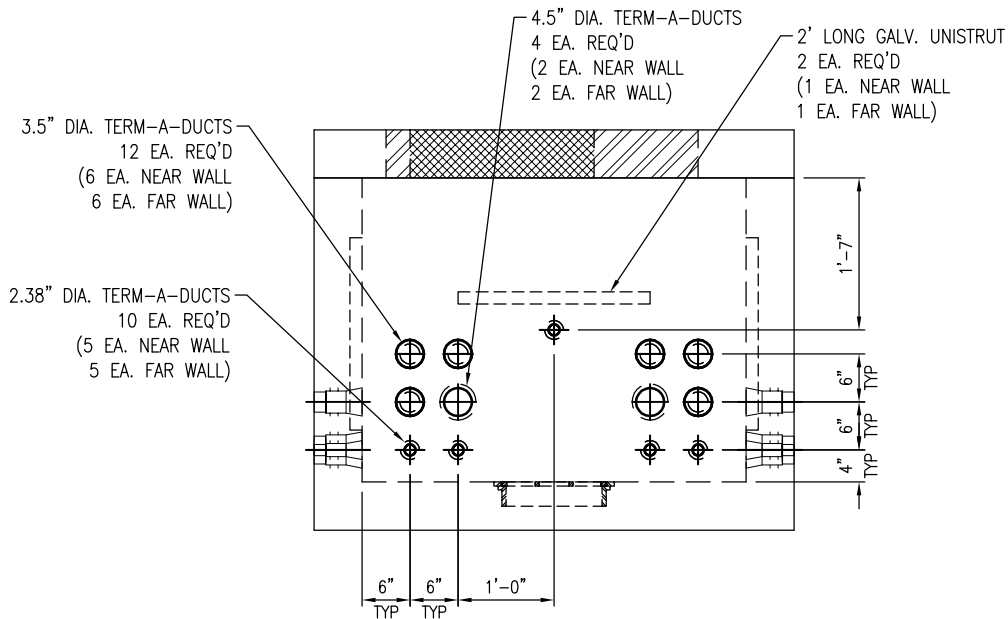
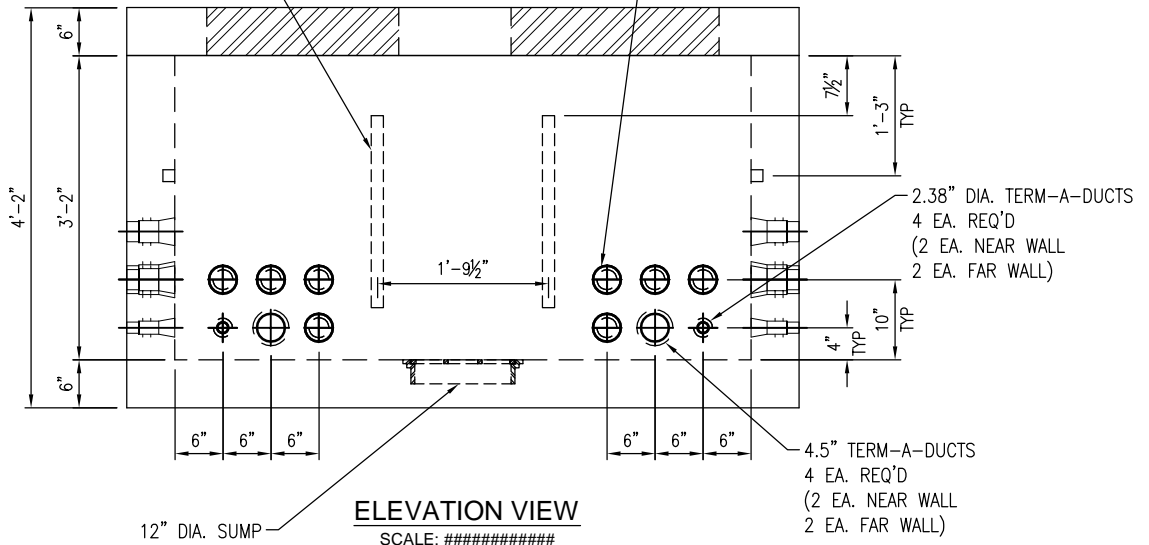
www.oldcastleprecast.com

4' x 6' Padvault Large Single Phase Pacifcorp

Copyright © 2011

2' LONG GALV. UNISTRUT
4 EA. REQ'D
(2 EA. NEAR WALL
2 EA. FAR WALL)

3.5" DIA. TERM-A-DUCTS
16 EA. REQ'D
(8 EA. NEAR WALL
8 EA. FAR WALL)



*LIFTING DEVICE TYPE & LOCATION
MAY CHANGE WITHOUT NOTICE



2240 S. Yellowstone Hwy, Idaho Falls, Idaho 83402
Phone: 208-522-6150 Fax: 208-522-9701

GV 231

FILE NAME: GV231CATALOG
ISSUE DATE: 1/2011
www.oldcastleprecast.com

4' x 6' Padvault
Large Single Phase
Pacificorp

Copyright © 2011