

NOTES:

1. INLET & OUTLET ARE IDENTIFIED.
2. TANK IS MARKED 1,500 GALLON.
3. INLET & OUTLET BAFFLES WILL ACCEPT A NOM. 4" SCH. 40 PVC PIPE.
4. IT IS RECOMMENDED THAT BITUMINOUS MASTIC BE USED AT JOINT.
5. OPENINGS MAY BE SIZED & LOCATED AS SPECIFIED WITHIN STRUCTURAL LIMITATIONS.
6. BAFFLES ARE TO BE INSTALLED BY OTHERS.
7. DESIGNED FOR 3'-0" MAX. BURY.



2240 S. Yellowstone Hwy, Idaho Falls, Idaho 83402
 Phone: 208-522-6150 Fax: 208-522-9701

Pump Chamber

FILE NAME: 230TBPC02

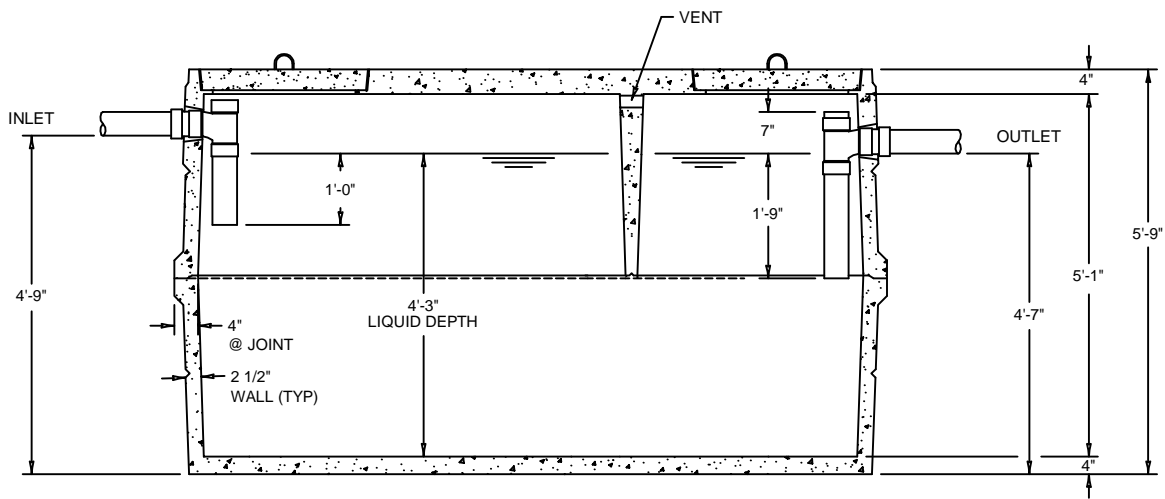
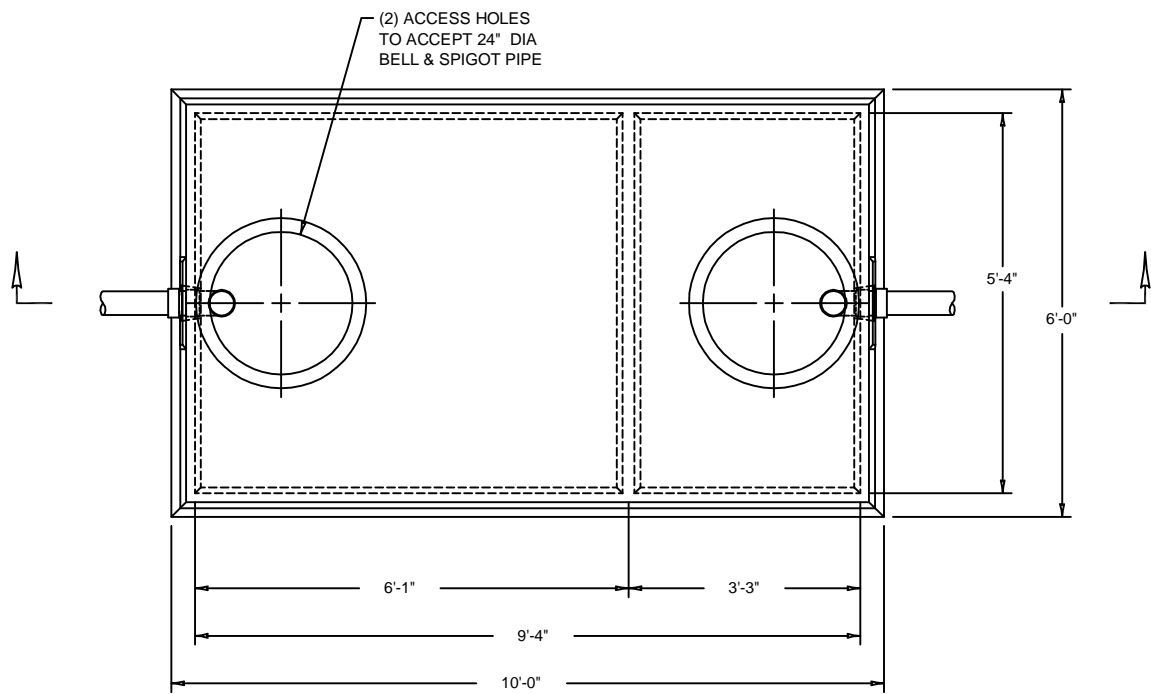
ISSUE DATE: 1/2011

www.oldcastleprecast.com

**1500 Gal Low Profile
 (Non Traffic Rated)**

ISO View

Copyright © 2011



2240 S. Yellowstone Hwy, Idaho Falls, Idaho 83402
 Phone: 208-522-6150 Fax: 208-522-9701

Pump Chamber

FILE NAME: 230TBPC02

ISSUE DATE: 1/2011

www.oldcastleprecast.com

**1500 Gal Low Profile
 (Non Traffic Rated)**

Copyright © 2011