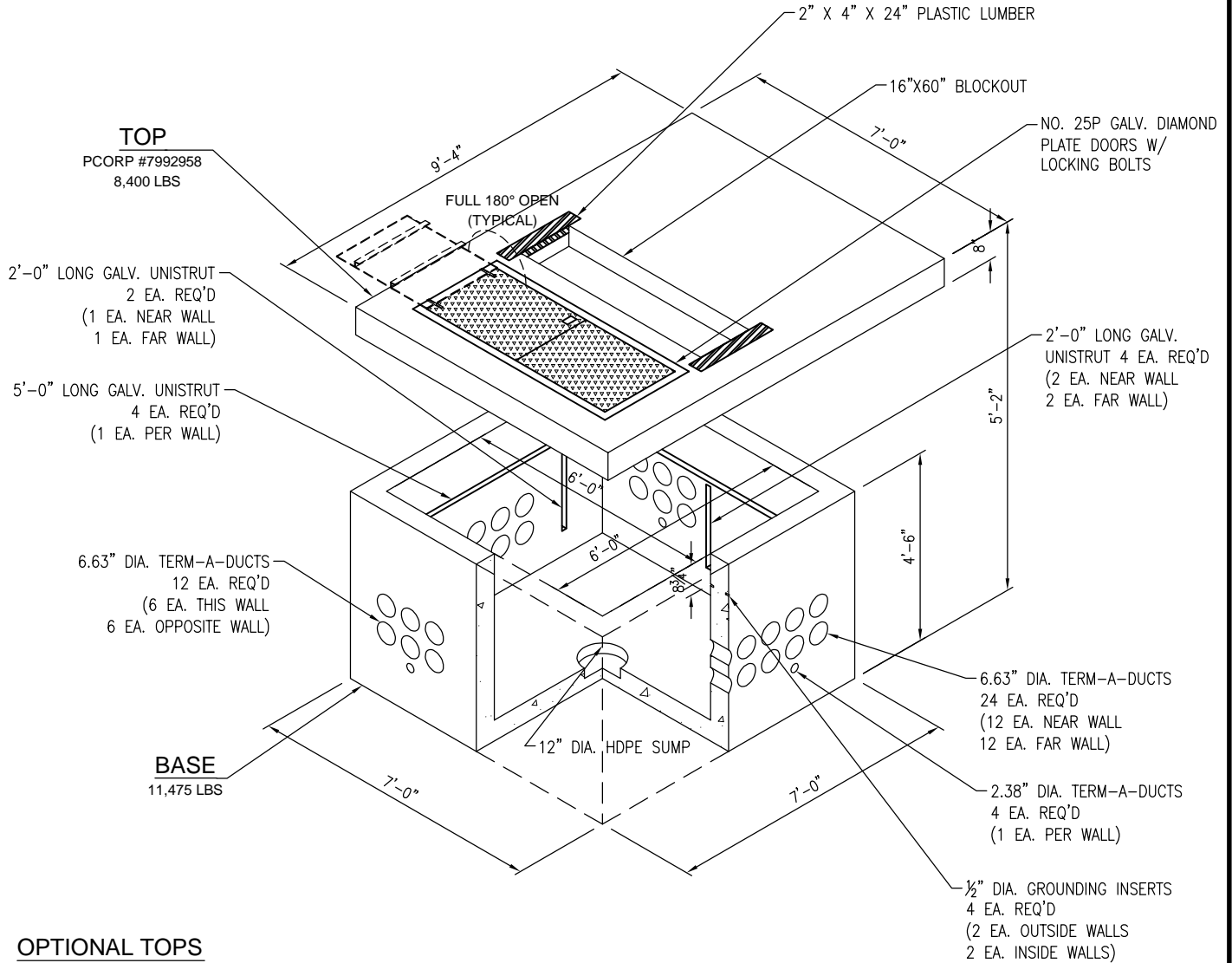
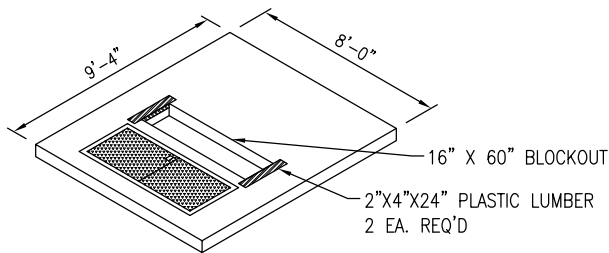


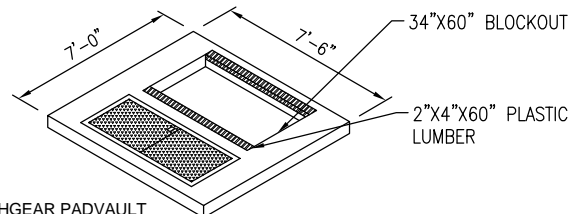
4-25kV, 3- PHASE 1000-2500 kVA TRANSFORMER PADVAULT, STOCK ITEM 7992958  
 35kV 3- PHASE 1000-2500 kVA TRANSFORMER PADVAULT, STOCK ITEM 7992959  
 15kV, 600 AMP, PME-3 SWITCHGEAR PADVAULT, STOCK ITEM 7992787



**OPTIONAL TOPS**



35kV, 3-PHASE TRANSFORMER W/ ACCESS  
 PCORP #7992959  
 5,800 LBS



15 kV, 600 AMP, PME-3 SWITCHGEAR PADVAULT  
 PCORP #7992787  
 2,125 LBS



2240 S. Yellowstone Hwy, Idaho Falls, Idaho 83402  
 Phone: 208-522-6150 Fax: 208-522-9701

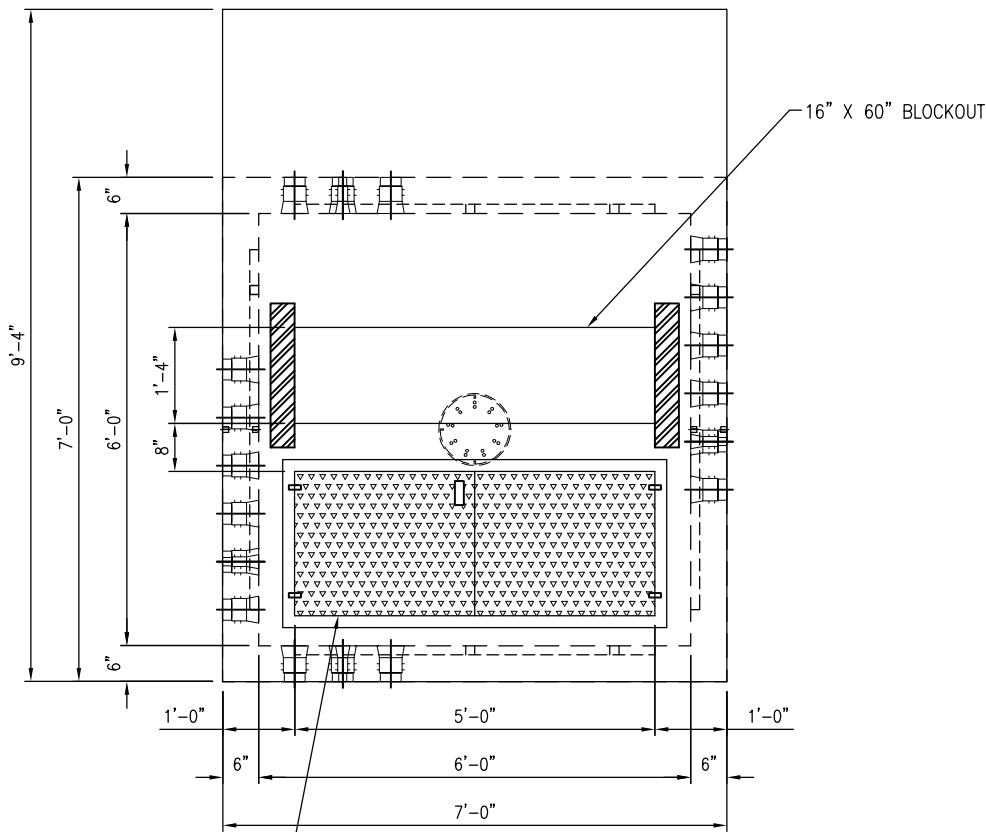
**7'X7' SHALLOW**

FILE NAME: 7X7SHALLOWCATALOG  
 ISSUE DATE: 1/2011  
[www.oldcastleprecast.com](http://www.oldcastleprecast.com)

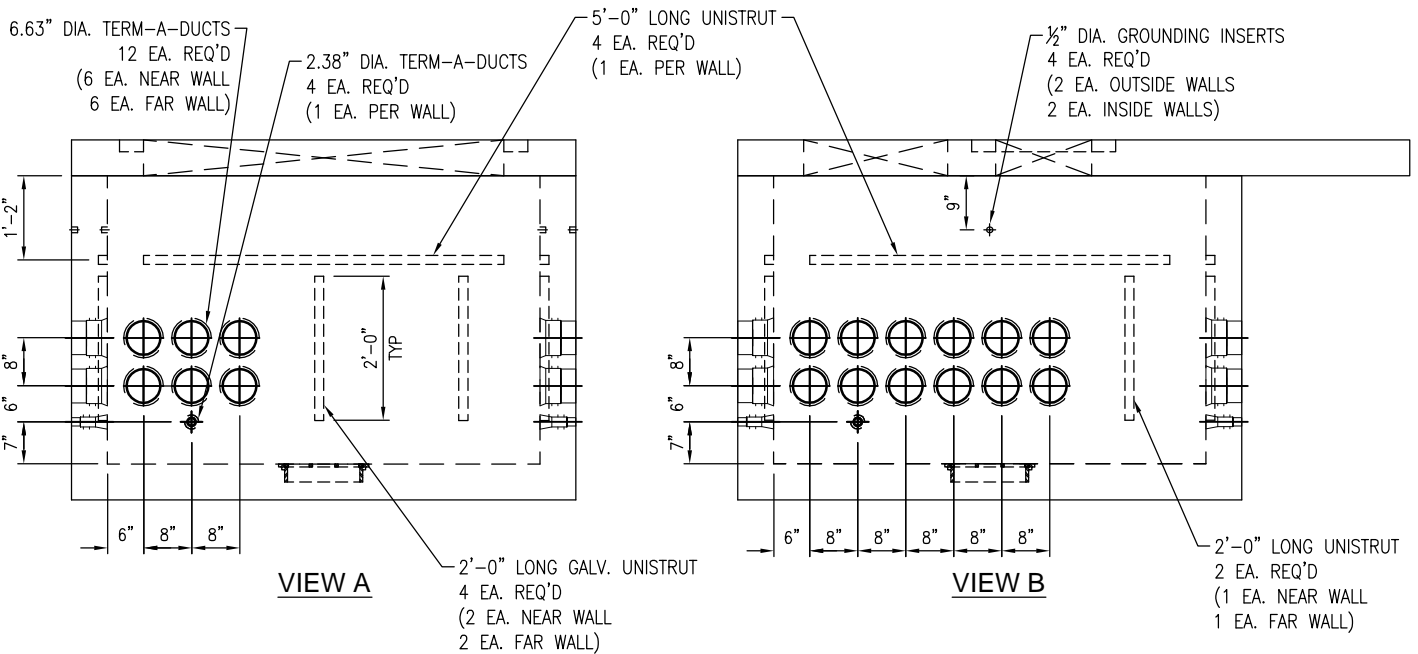
**6'X6' Manhole  
 Pacificorp**

Copyright © 2011

\* LIFTING DEVICE TYPE & LOCATION  
MAY CHANGE WITH OUT NOTICE



**PLAN VIEW**  
NO. 25P GALV. DIAMOND PLATE DOORS W/ LOCKING BOLTS  
4-25kV, 3-PHASE TRANSFORMER W/ ACCESS  
PCORP #7992958

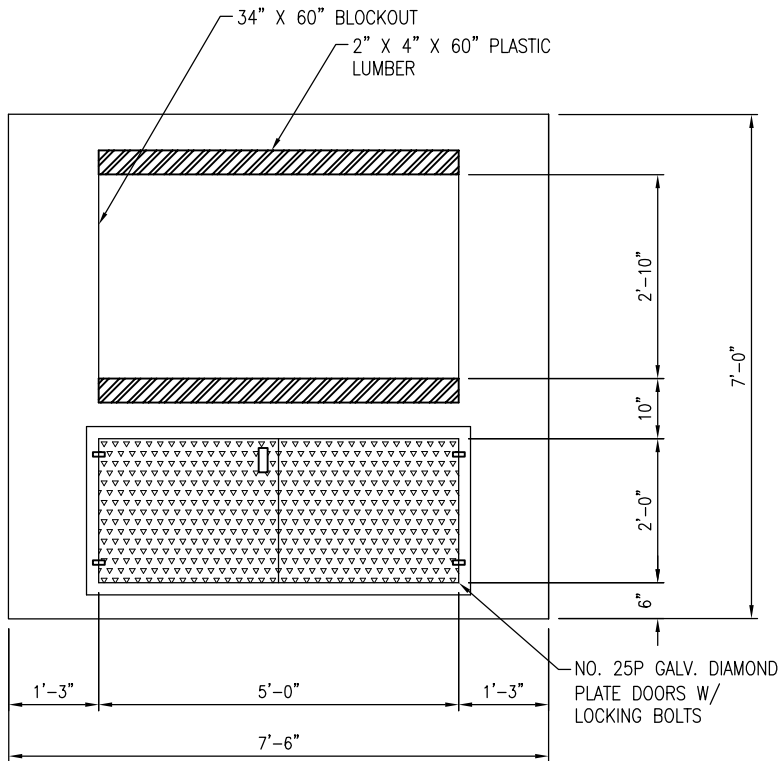


**Oldcastle Precast**  
2240 S. Yellowstone Hwy, Idaho Falls, Idaho 83402  
Phone: 208-522-6150 Fax: 208-522-9701

**7'X7' SHALLOW**  
FILE NAME: 7X7SHALLOW CATALOG  
ISSUE DATE: 1/2011  
[www.oldcastleprecast.com](http://www.oldcastleprecast.com)

**6'X6' Manhole**  
**Pacificorp**  
Copyright © 2011

\* LIFTING DEVICE TYPE & LOCATION  
MAY CHANGE WITH OUT NOTICE

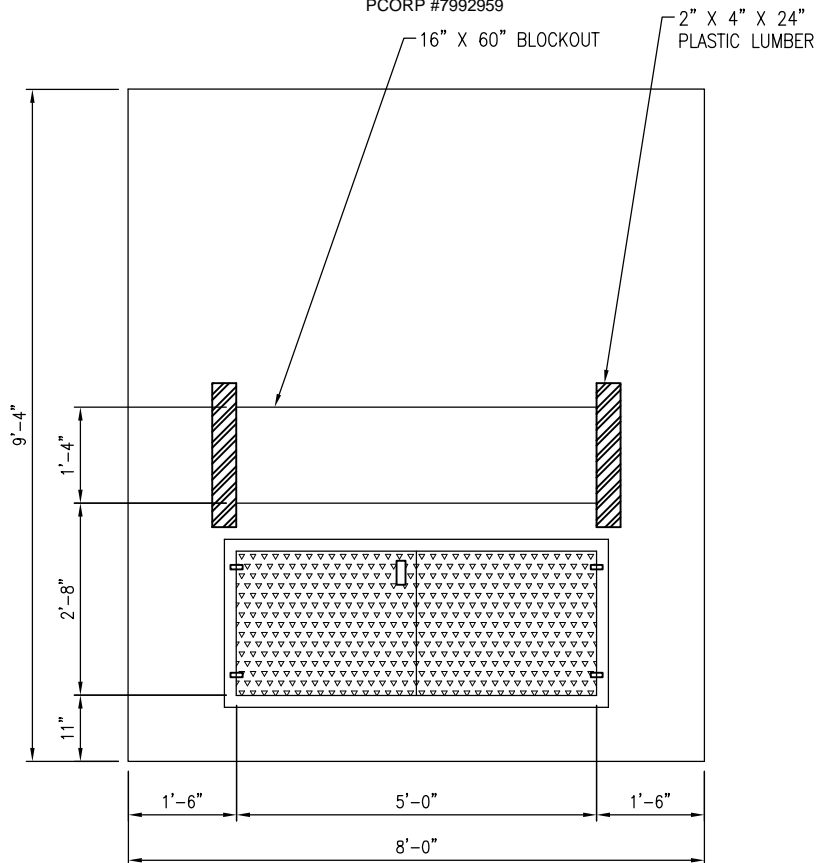


**PLAN VIEW**

15kV, 600 AMP, PME-3 SWITCHGEAR PADVAULT  
PCORP #7992787

**PLAN VIEW**

35kV, 3-PHASE TRANSFORMER PADVAULT WITH ACCESS  
PCORP #7992959



2240 S. Yellowstone Hwy, Idaho Falls, Idaho 83402  
Phone: 208-522-6150 Fax: 208-522-9701

**7'X7' SHALLOW**

FILE NAME: 7X7SHALLOW CATALOG

ISSUE DATE: 1/2011

[www.oldcastleprecast.com](http://www.oldcastleprecast.com)

**6'X6' Manhole  
Pacificorp**

Copyright © 2011