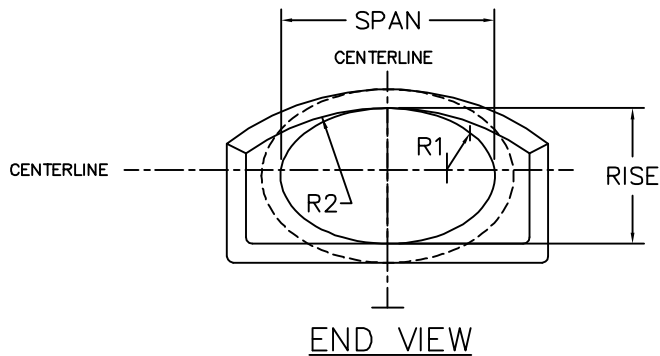
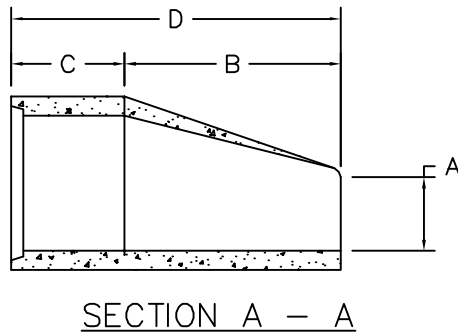
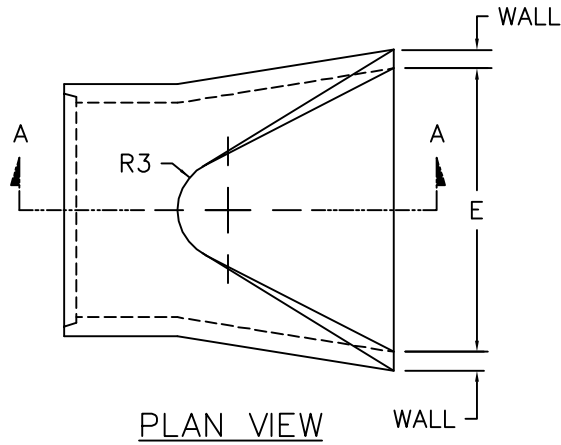


ELLIPTICAL FLARED END SECTION CONCRETE PIPE



EQUIVALENT CIRCULAR PIPE DIAMETER	NOMINAL INSIDE RISE x SPAN	WALL THICKNESS	APPROX. WEIGHT	A	FLARE LENGTH B	BARREL LENGTH C	LAY LENGTH D	FLARE WIDTH E	R-1	R-2	R-3
18"	14" x 23"	2-3/4"	1300	8"	2'-4"	3'-9"	6'-1"	36"	6-3/32"	19-15/16"	6"
24"	19" x 30"	3-1/4"	1675	8-1/2"	3'-4"	2'-9"	6'-1"	48"	8-7/32"	26-1/4"	7"
30"	24" x 38"	3-3/4"	2450	9-1/2"	4'-6"	1'-6"	6'-0"	60"	10-1/4"	32-13/16"	9"
36"	29" x 45"	4-1/2"	4840	11-1/2"	5'-1"	3'-0"	8'-1"	72"	12-5/8"	39-3/8"	12"
42"	34" x 53"	5"	6456	15-3/4"	5'-0"	3'-0"	8'-0"	78"	14-9/32"	45-29/32"	13"
48"	38" x 60"	5-1/2"	7870	21"	5'-0"	3'-0"	8'-0"	84"	15-7/16"	51-19/32"	14"
54"	43" x 68"	6"	9990	25-1/2"	5'-0"	3'-0"	8'-0"	90"	18-21/32"	58-19/32"	16"

CP006

5/07

16419 TEN LANE, NAMPA, IDAHO 83687 - (208) 465-0176 - 1-800-696-5648 - FAX (208) 465-7129

* ITEMS SHOWN ARE SUBJECT TO CHANGE WITHOUT NOTICE.