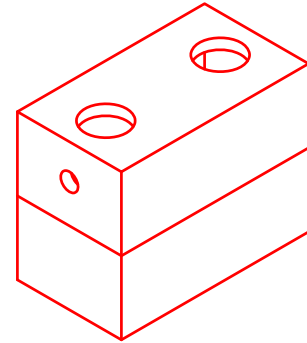
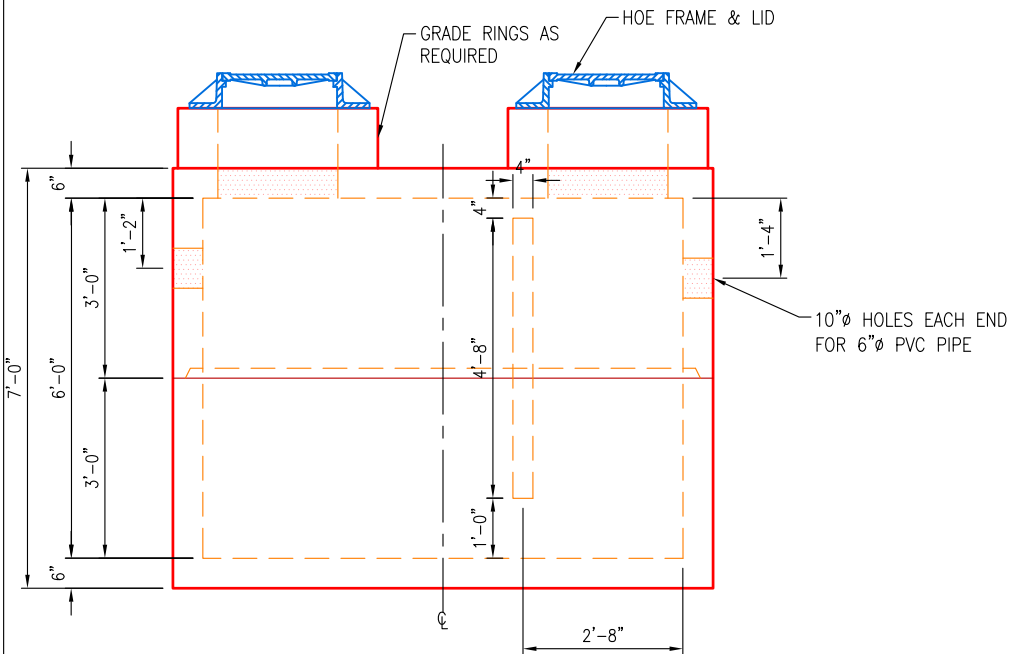


**PLAN VIEW**  
SCALE: 5/16" = 1'-0"

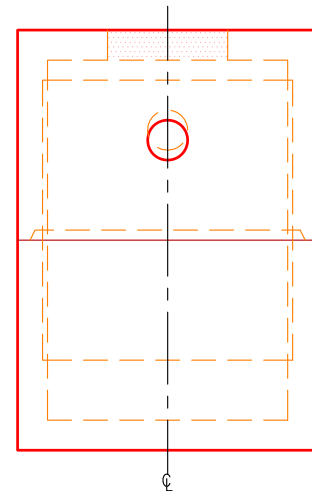
WEIGHTS	
SECTION	WEIGHT
TOP SECTION	8,800 LBS
BASE SECTION	9,300 LBS
TOTAL	18,100 LBS



**ISO VIEW**  
SCALE: 1/4" = 1'-0"



**SIDE VIEW**  
SCALE: 5/16" = 1'-0"



**END VIEW**  
SCALE: 5/16" = 1'-0"

**SPECIFICATIONS:**

- Concrete minimum compression strength:  
F'c=5,000 PSI @ 28 days.
- Reinforcing steel: ASTM A615, Fy=60,000 PSI

ITEMS ARE SUBJECT TO CHANGE WITHOUT NOTICE.