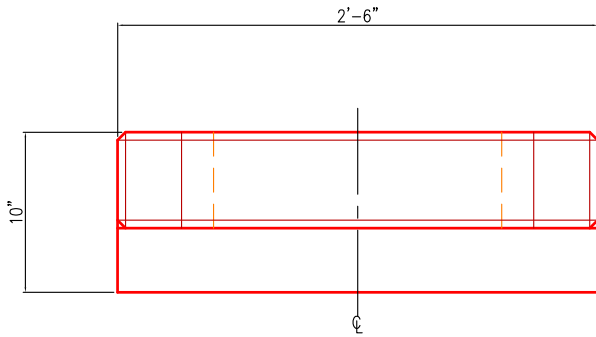
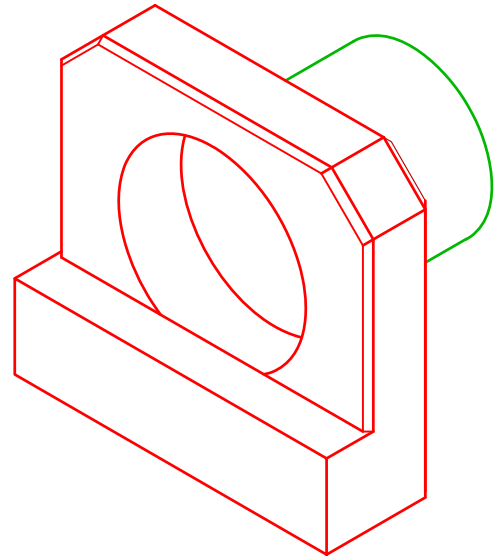


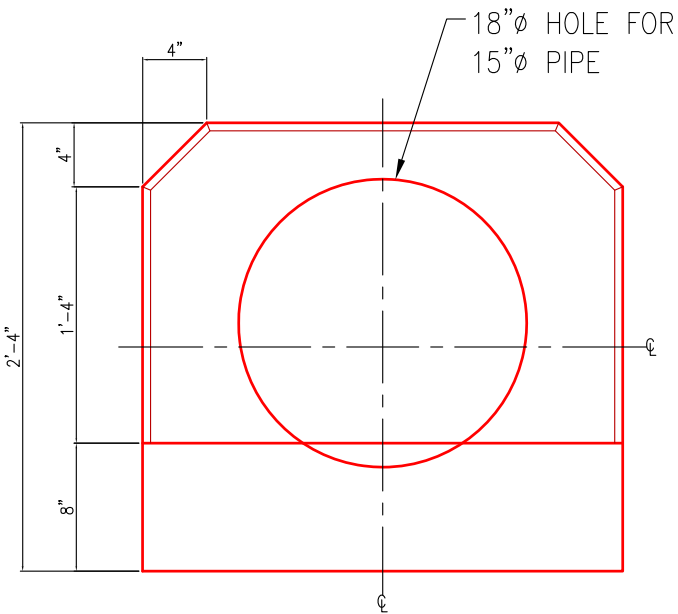


WEIGHTS	
SECTION	WEIGHT
TOTAL	400 LBS

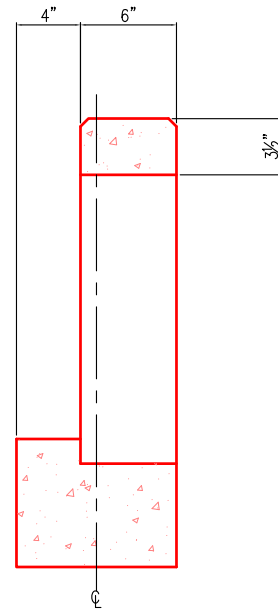


PLAN VIEW
SCALE: 1" = 1'-0"

ISO VIEW
SCALE: 3/4" = 1'-0"



SIDE VIEW
SCALE: 1" = 1'-0"



END SECTION
SCALE: 1" = 1'-0"

SPECIFICATIONS:

1. Concrete minimum compression strength:
F'c=5,000 PSI @ 28 days.
2. Reinforcing steel: ASTM A615, Fy=60,000 PSI

ITEMS ARE SUBJECT TO CHANGE WITHOUT NOTICE.