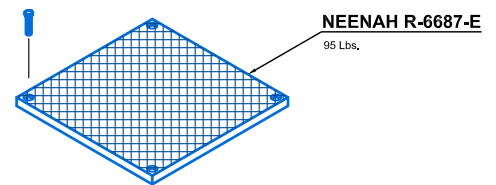
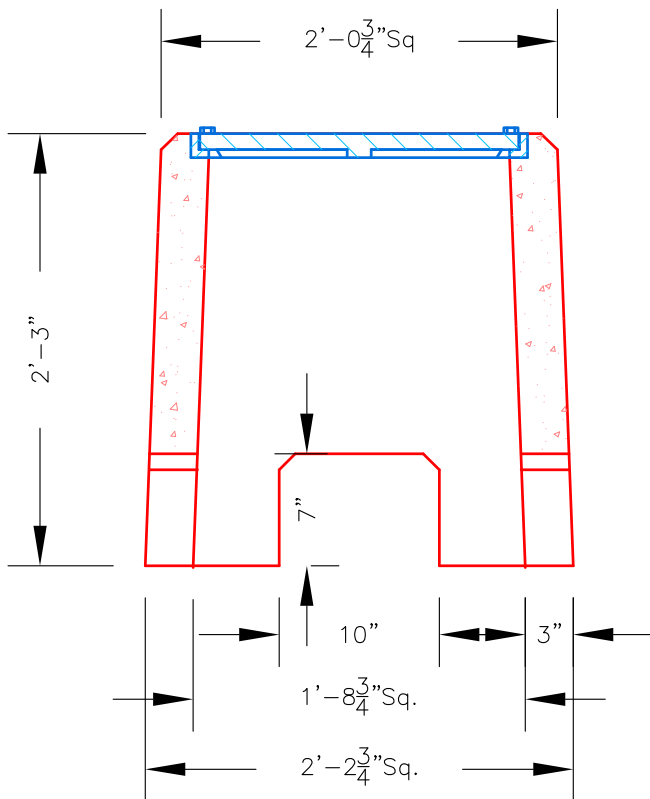
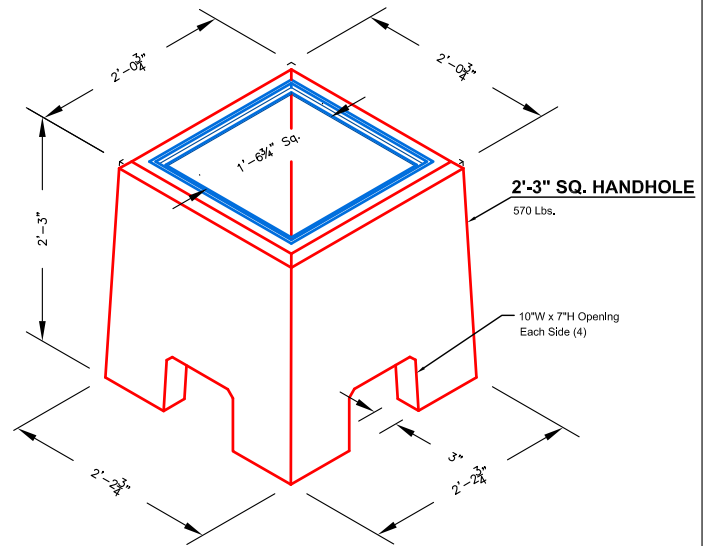

**PLAN VIEW**

WEIGHTS	
SECTION	WEIGHT
TOTAL	665 LBS


**NEENAH R-6687-E**  
 95 Lbs.

**SECTION A-A**

**ISO VIEW**  
 SCALE: 1/2" = 1'-0"

**SPECIFICATIONS:**

- Concrete minimum compression strength:  
F'c=5,000 PSI @ 28 days.
- Reinforcing steel: ASTM A615, Fy=60,000 PSI

ITEMS ARE SUBJECT TO CHANGE WITHOUT NOTICE.