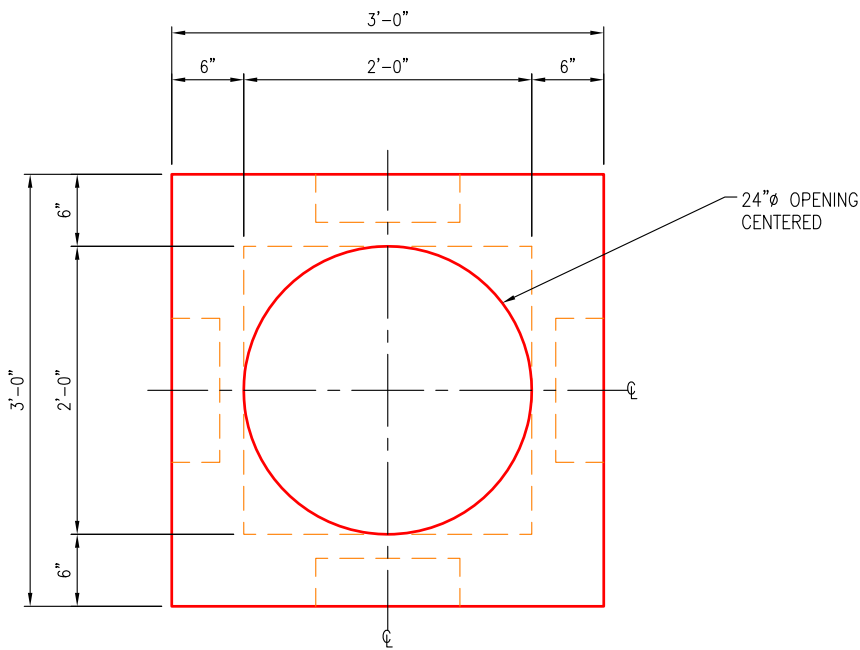
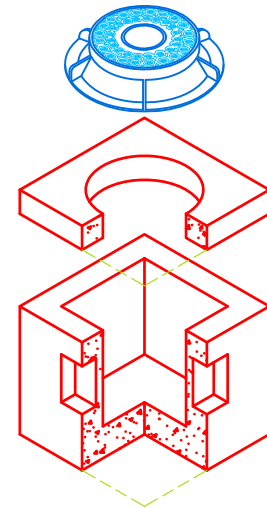


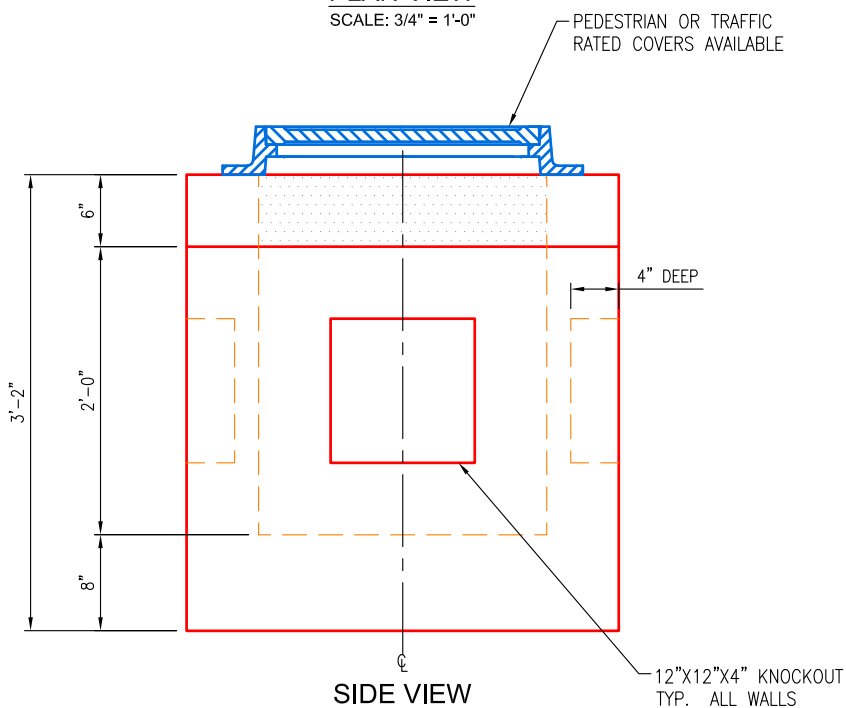
WEIGHTS	
SECTION	WEIGHT
TOP SLAB	500 LBS
BASE SECTION	2,400 LBS
TOTAL	2,900 LBS


**PLAN VIEW**

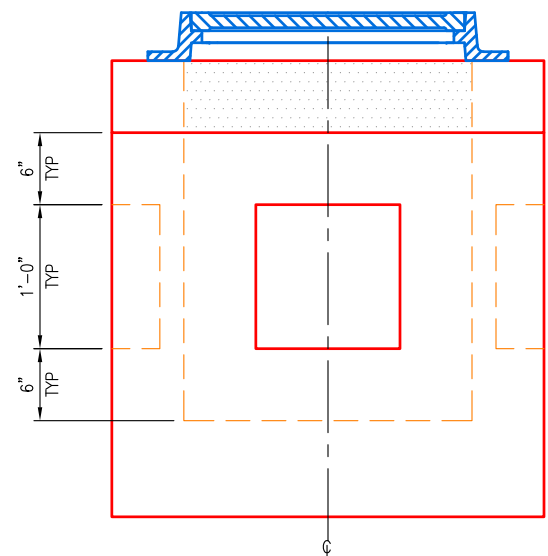
SCALE: 3/4" = 1'-0"


**ISO VIEW**

SCALE: 1/4" = 1'-0"


**SIDE VIEW**

SCALE: 3/4" = 1'-0"


**END VIEW**

SCALE: 3/4" = 1'-0"

**SPECIFICATIONS:**

- Concrete minimum compression strength: F'c=5,000 PSI @ 28 days.
- Reinforcing steel: ASTM A615, Fy=60,000 PSI

ITEMS ARE SUBJECT TO CHANGE WITHOUT NOTICE.