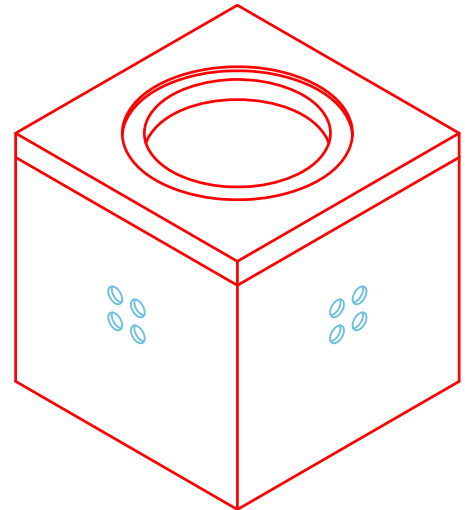
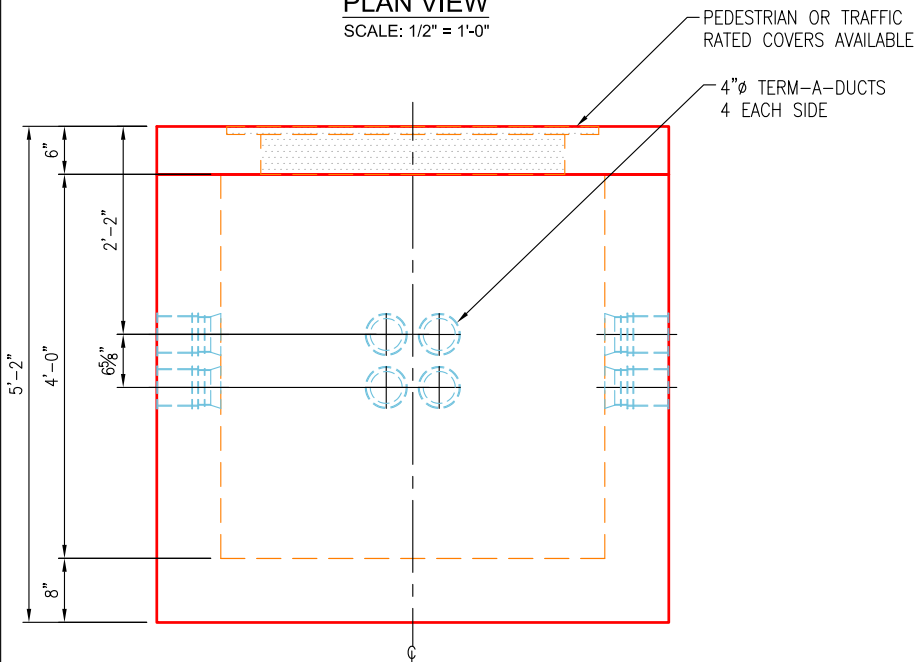


PLAN VIEW
 SCALE: 1/2" = 1'-0"

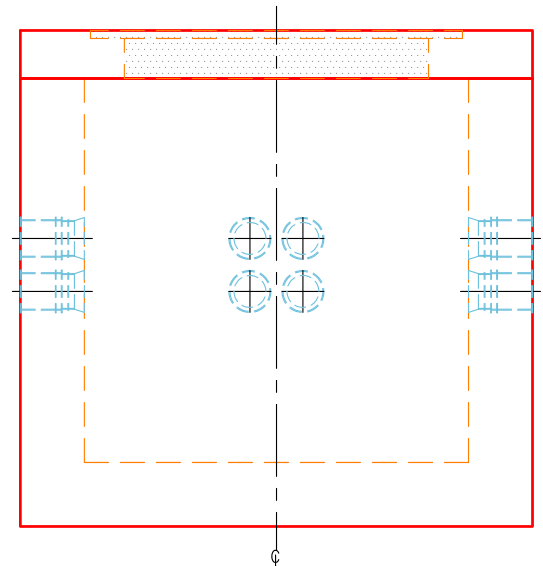
WEIGHTS	
SECTION	WEIGHT
TOP SLAB	1,600 LBS
BASE SECTION	10,400 LBS
TOTAL	12,000 LBS



ISO VIEW
 SCALE: 1/4" = 1'-0"



SIDE VIEW
 SCALE: 1/2" = 1'-0"



END VIEW
 SCALE: 1/2" = 1'-0"

SPECIFICATIONS:

- Concrete minimum compression strength:
 F'c=5,000 PSI @ 28 days.
- Reinforcing steel: ASTM A615, Fy=60,000 PSI

ITEMS ARE SUBJECT TO CHANGE WITHOUT NOTICE.