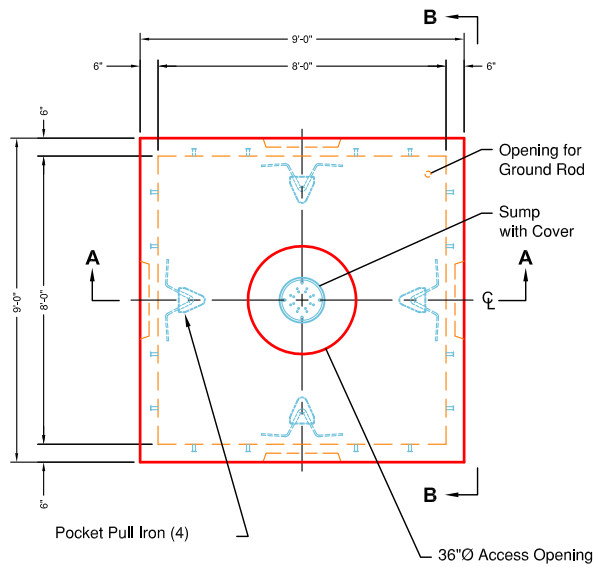
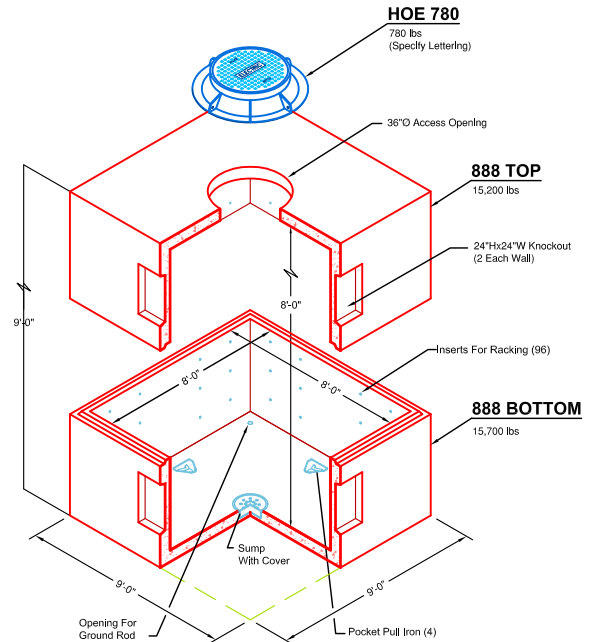
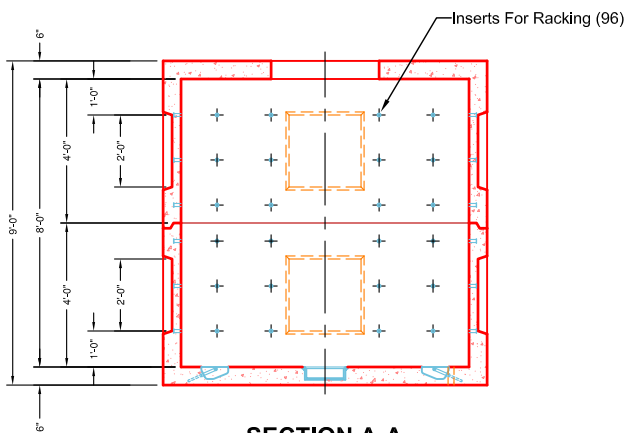
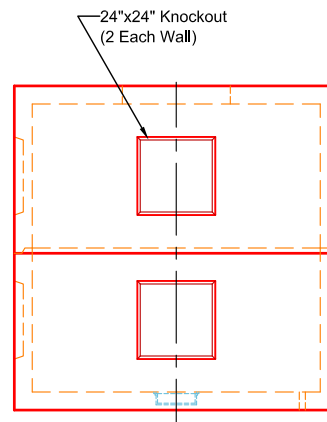


WEIGHTS	
SECTION	WEIGHT
TOP SECTION	15,200 LBS
BASE SECTION	15,700 LBS
TOTAL	30,900 LBS


PLAN VIEW

ISO VIEW

SECTION A-A

ELEVATION B-B
SPECIFICATIONS:

- Concrete minimum compression strength:
F'c=5,000 PSI @ 28 days.
- Reinforcing steel: ASTM A615, Fy=60,000 PSI

ITEMS ARE SUBJECT TO CHANGE WITHOUT NOTICE.