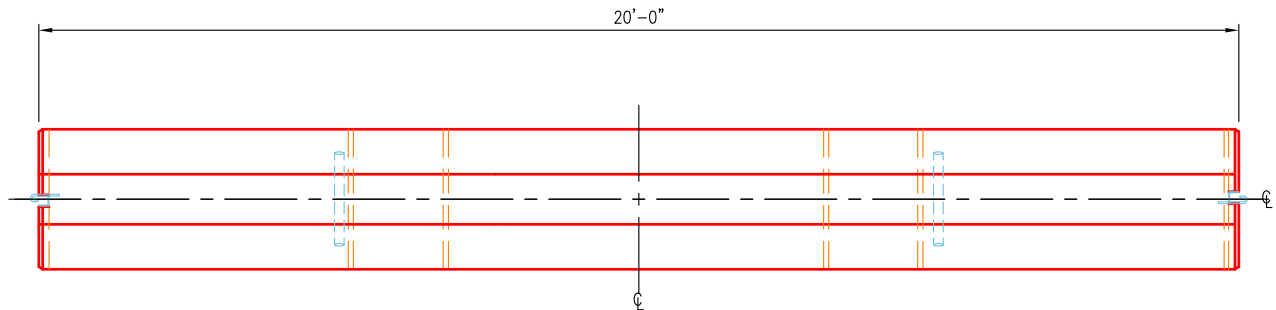
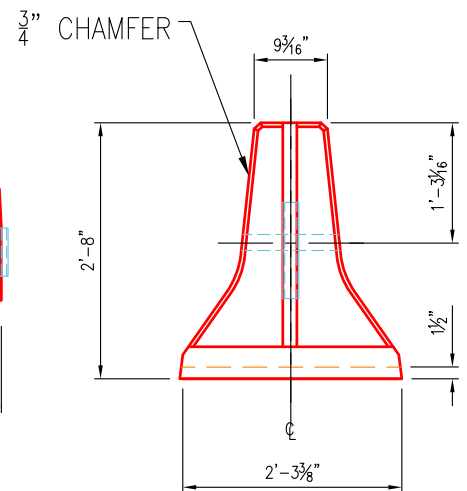
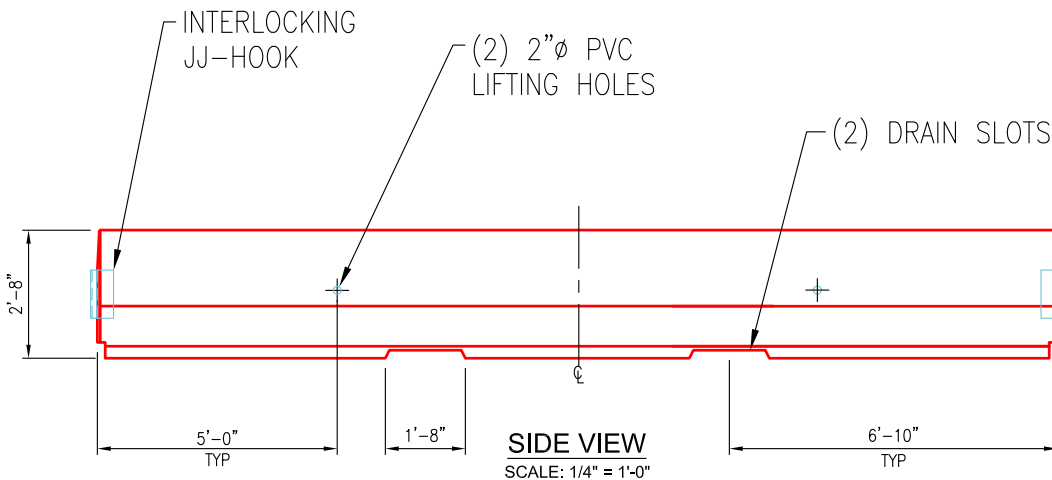

**ISO VIEW**  
 SCALE: 1/8" = 1'-0"

WEIGHTS	
SECTION	WEIGHT
20' SECTION	10,100 LBS

\*\*CUSTOM SIZING AVAILABLE


**PLAN VIEW**  
 SCALE: 5/16" = 1'-0"

**SPECIFICATIONS:**

- Concrete minimum compression strength:  
F'c=5,000 PSI @ 28 days.
- Reinforcing steel: ASTM A615, Fy=60,000 PSI

ITEMS ARE SUBJECT TO CHANGE WITHOUT NOTICE.