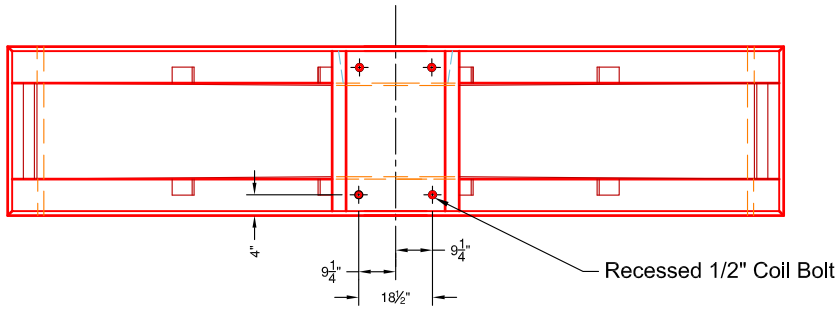
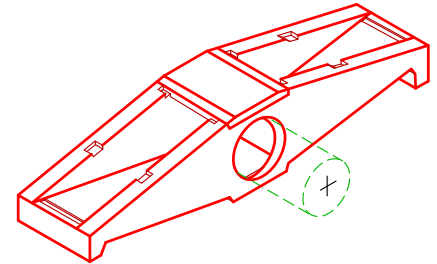
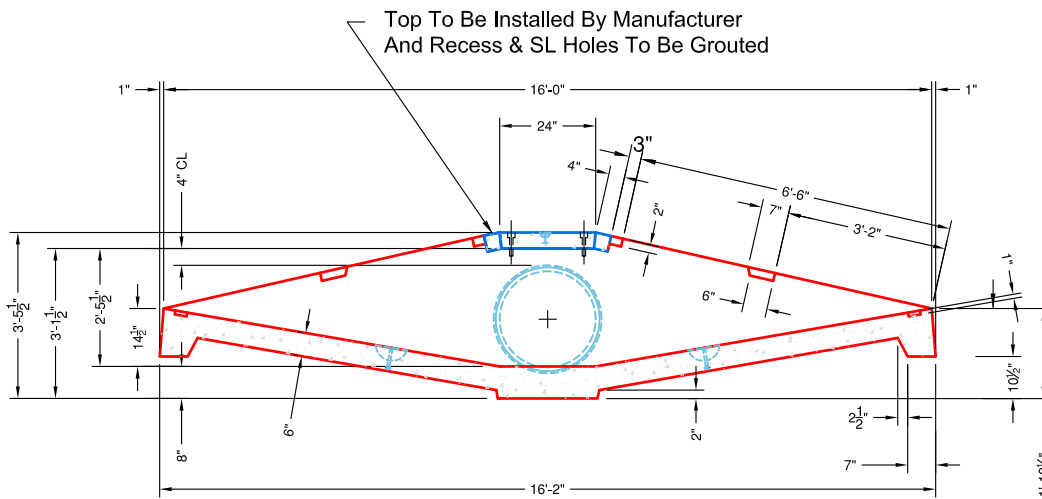
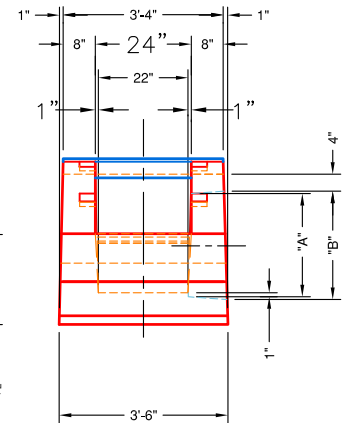


PIPE OPENING SIZE

PIPE	"A"	"B"
18" CMP	20"	22"
24" CMP	26"	27"


PLAN VIEW

ISOMETRIC VIEW W/O GRATES

FRONT VIEW

SECTION A-A
SPECIFICATIONS:

- Concrete minimum compression strength:
F'c=5,000 PSI @ 28 days.
- Reinforcing steel: ASTM A615, Fy=60,000 PSI

ITEMS ARE SUBJECT TO CHANGE WITHOUT NOTICE.