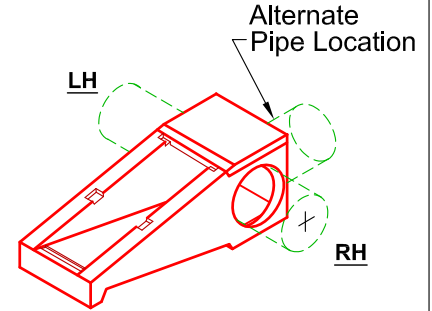
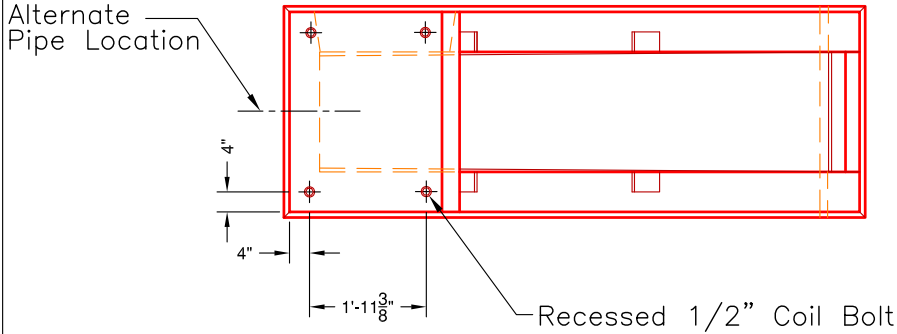
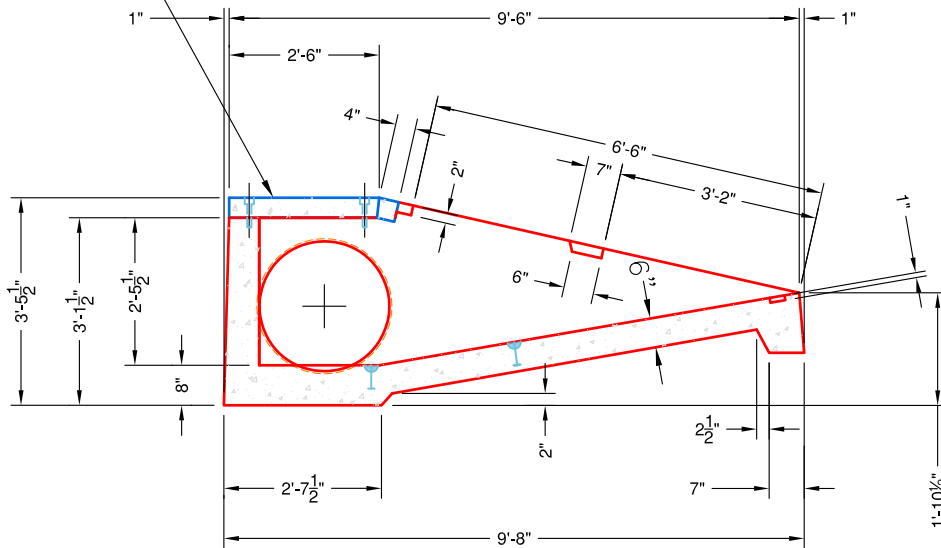
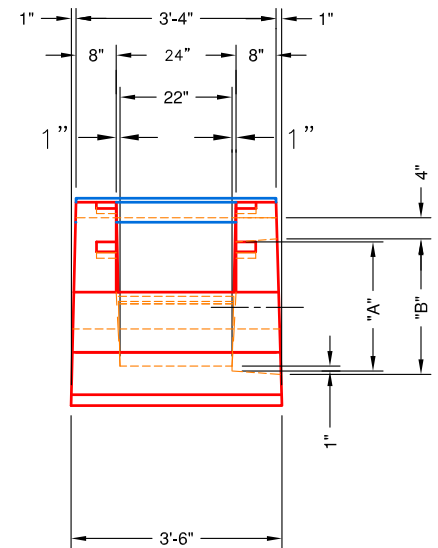


Pipe Opening Size

| PIPE | "A" | "B" |
|---------|-----|-----|
| 18" CMP | 20" | 22" |
| 24" CMP | 26" | 27" |


Isometric View w/o Grates

Top To Be Installed By Manufacturer
 And Recess Holes To Be Grouted


SECTION A-A

FRONT VIEW
SPECIFICATIONS:

- Concrete minimum compression strength:
 F'c=5,000 PSI @ 28 days.
- Reinforcing steel: ASTM A615, Fy=60,000 PSI

ITEMS ARE SUBJECT TO CHANGE WITHOUT NOTICE.