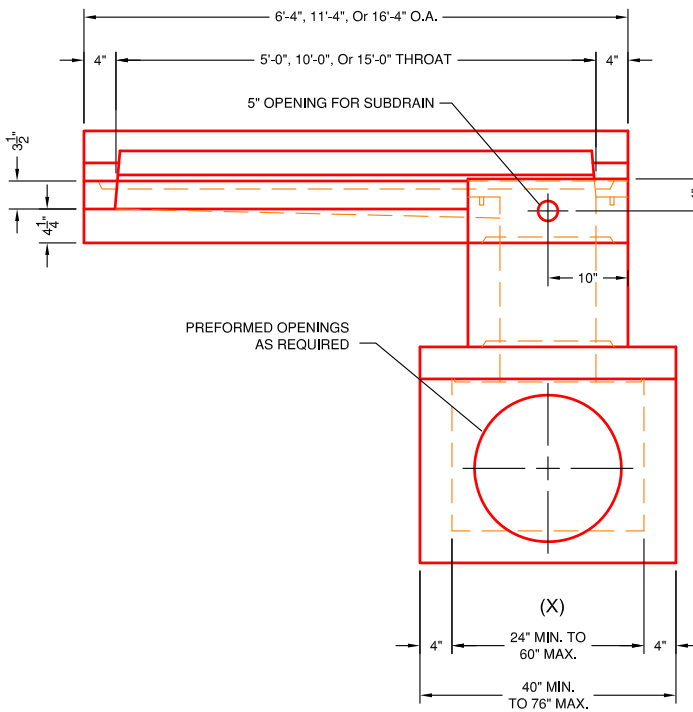
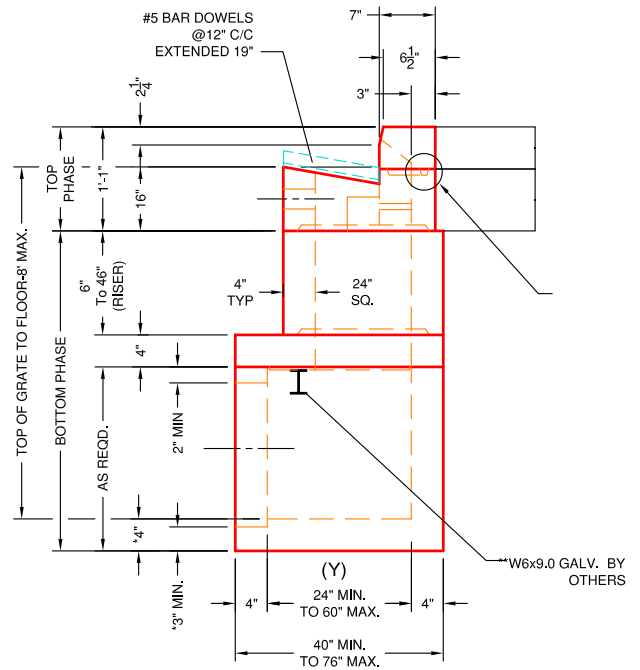

PLAN VIEW

(PLAN VIEW SHOWN W/O PIPE CHAMBER OR RISER)


VIEW A

VIEW B
SPECIFICATIONS:

1. Concrete minimum compression strength: F'c=5,000 PSI @ 28 days.
2. Reinforcing steel: ASTM A615, Fy=60,000 PSI

ITEMS ARE SUBJECT TO CHANGE WITHOUT NOTICE.