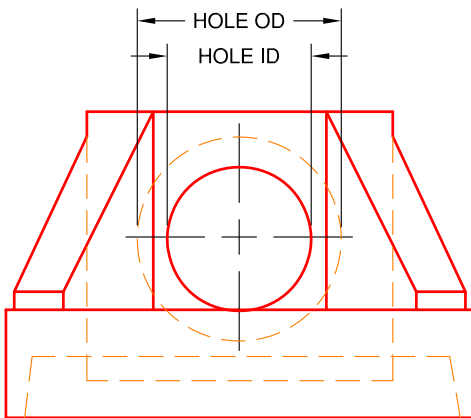
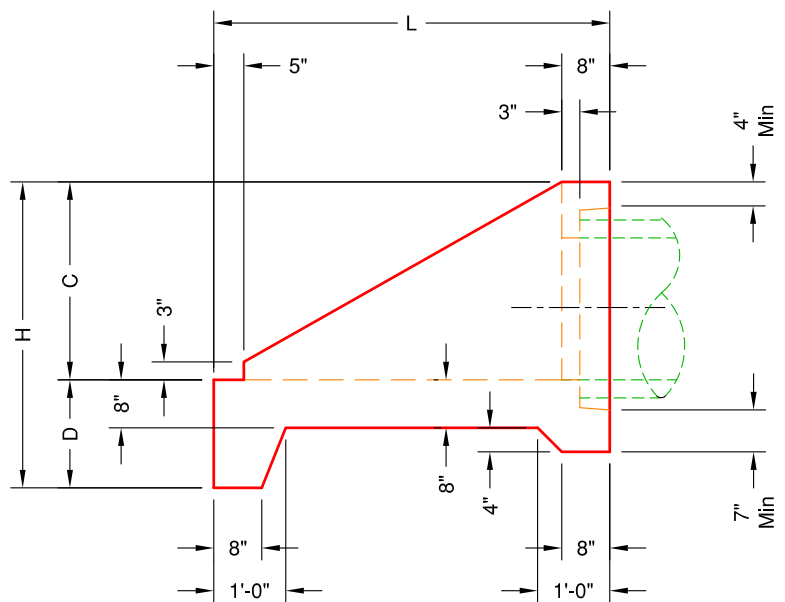

PLAN VIEW

PIPE SIZE	HOLE ID	HOLE OD	W	L	H	A	B	C	D
24"	24"Ø	34"Ø	78"	66"	51"	51"	29"	33"	18"


VIEW A

VIEW B
SPECIFICATIONS:

- Concrete minimum compression strength:
F'c=5,000 PSI @ 28 days.
- Reinforcing steel: ASTM A615, Fy=60,000 PSI

ITEMS ARE SUBJECT TO CHANGE WITHOUT NOTICE.