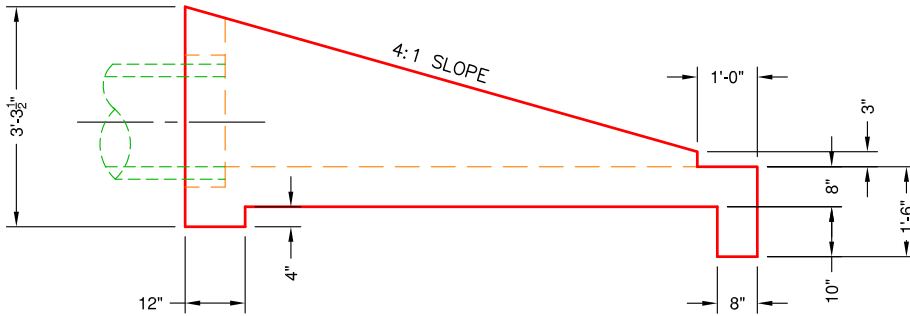
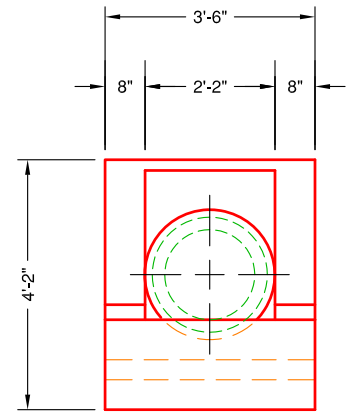


PLAN VIEW

WEIGHTS	
SECTION	WEIGHT
TOTAL	5,800 LBS



VIEW A



VIEW B

SPECIFICATIONS:

1. Concrete minimum compression strength:
F'c=5,000 PSI @ 28 days.
2. Reinforcing steel: ASTM A615, Fy=60,000 PSI

ITEMS ARE SUBJECT TO CHANGE WITHOUT NOTICE.