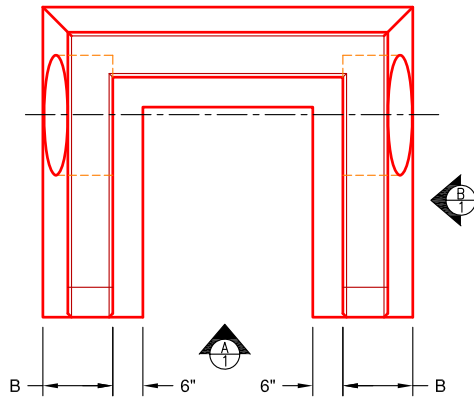
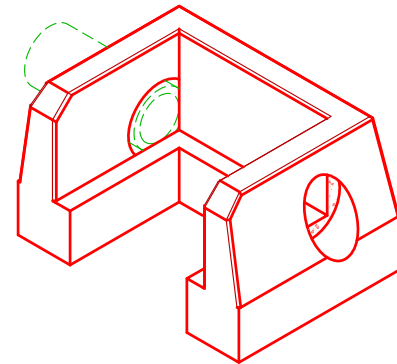
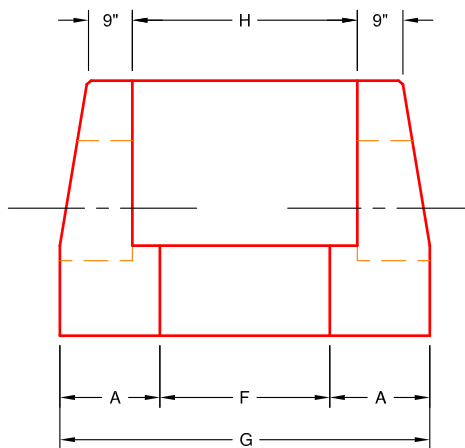
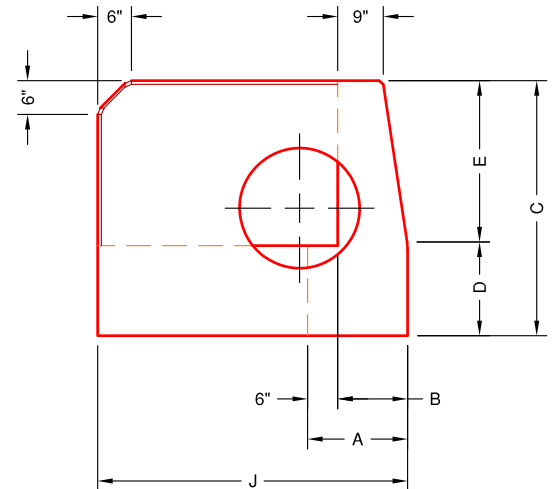


DIMENSION	DIAMETER OF PIPE					
	12"	15"	18"	24"	30"	36"
A	1'-8"	1'-8"	1'-9"	1'-10"	1'-11"	2'-0"
B	1'-2"	1'-2"	1'-3"	1'-4"	1'-5"	1'-6"
C	4'-0"	4'-3"	4'-6"	5'-0"	5'-6"	6'-6"
D	1'-6"	1'-6"	1'-6"	1'-6"	1'-6"	2'-0"
E	2'-6"	2'-9"	3'-0"	3'-6"	4'-0"	4'-6"
F	2'-6"	2'-9"	3'-0"	3'-6"	3'-9"	4'-0"
G	5'-10"	6'-2"	6'-6"	7'-2"	7'-7"	8'-0"
H	3'-6"	3'-9"	4'-0"	4'-6"	4'-9"	5'-0"
J	4'-8"	5'-2"	5'-9"	6'-10"	7'-11"	9'-0"
WEIGHT	8385#	9800#	11585#	15190#	19360#	27215#


PLAN VIEW

ISO VIEW

VIEW A

VIEW B
SPECIFICATIONS:

- Concrete minimum compression strength:
F'c=5,000 PSI @ 28 days.
- Reinforcing steel: ASTM A615, Fy=60,000 PSI

ITEMS ARE SUBJECT TO CHANGE WITHOUT NOTICE.