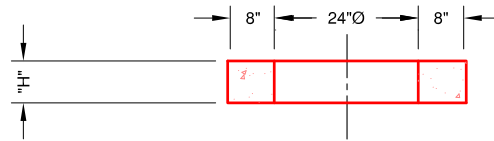


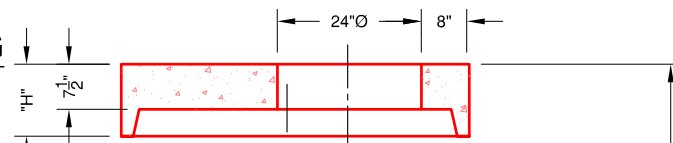
### MH GRADE RING

"H"	Wt.
2"	140#
4"	280#
6"	480#
8"	560#
12"	730#



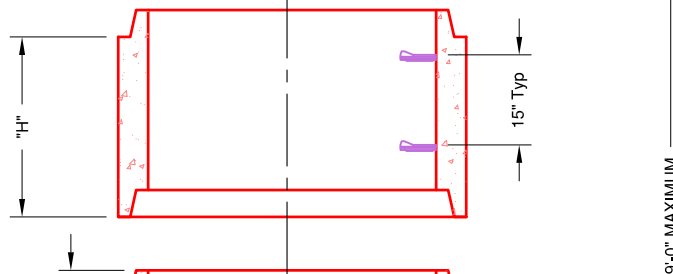
### 4' TOP SLAB W/G

"H"	Wt.
12"	1760#



### 4' DIA. BARREL

"H"	Wt.
15"	1083#
30"	2168#
45"	3251#

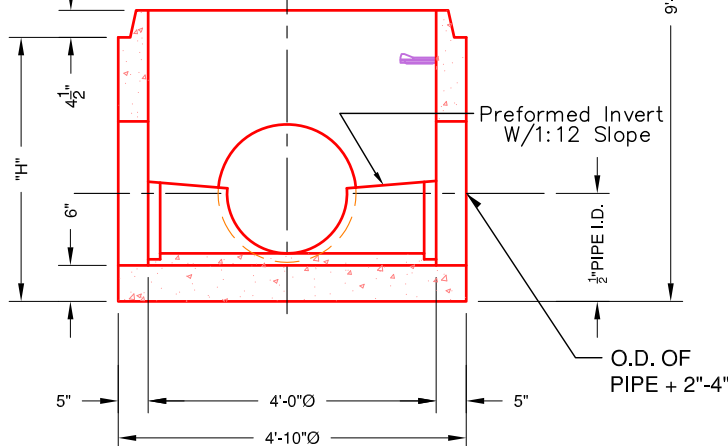


### 4' DIA. BASE

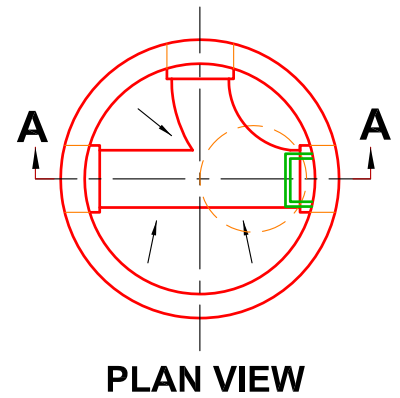
"H"	Wt.
23"	2730# + Invert
30"	3236# + Invert
32"	3380# + Invert
34"	3524# + Invert
44"	4238# + Invert

Openings Cored Or  
Cast In As Req.

Base Available With  
Open Bottom



### SECTION A-A



#### SPECIFICATIONS:

- Concrete minimum compression strength:  
F'c=5,000 PSI @ 28 days.
- Reinforcing steel: ASTM A615, Fy=60,000 PSI

ITEMS ARE SUBJECT TO CHANGE WITHOUT NOTICE.